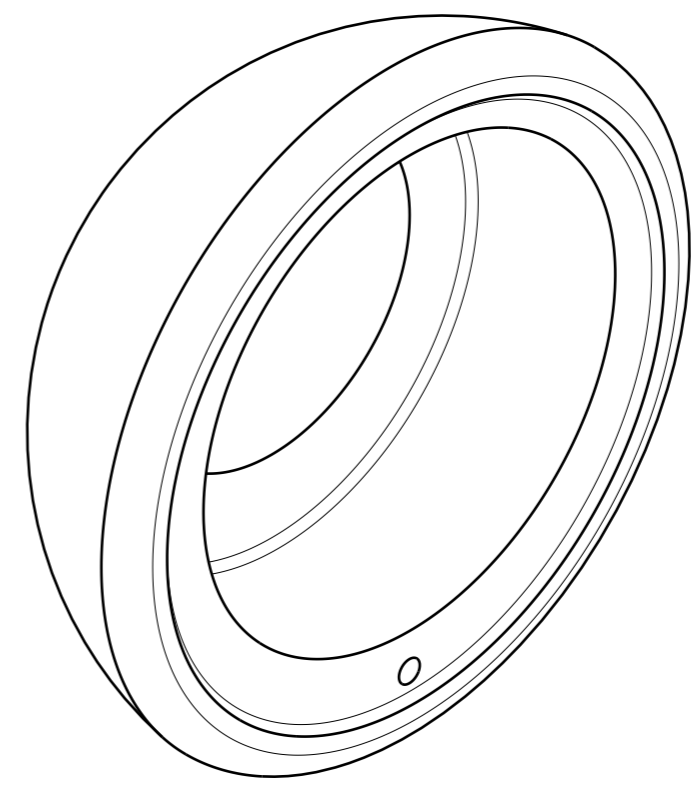
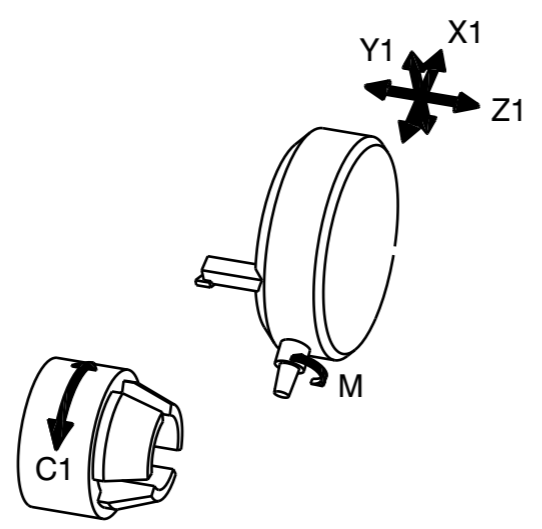



Machine : Horizontal Lathe
Turret : 20x20



WORK : ARTIFICIAL JOINT

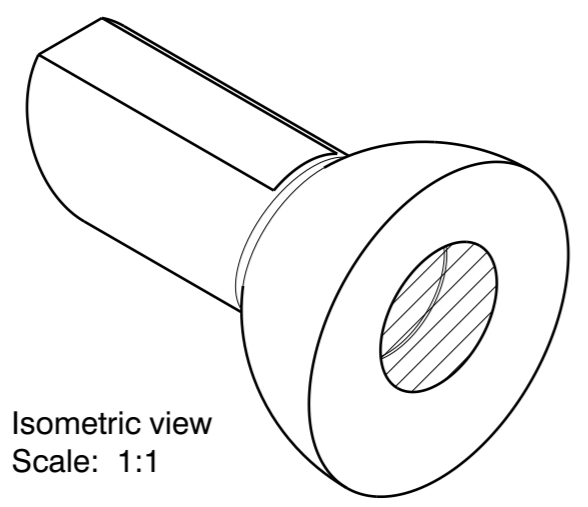
WORKPIECE MATERIAL - Co-Cr-Mo Alloy

Unspecified Tolerances	Draw	--	--	Customer: TUNGALOY	Japan	 Dwg.No. 32448556-HCL
	Design			Designation: LAYOUT-ARTIFICIAL-JOINT-62309		
Dim.s:	Check			Process		Rev. No.
Angles:	Appr.			Layout.		0
	Scale	--		Lead Drawing		Reg.No.
				-		62309/1
				FL-40031824		A3L

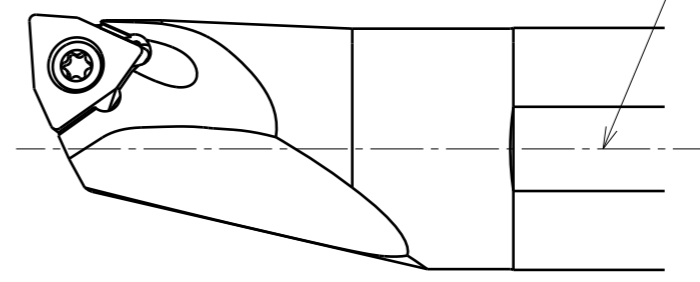


© 2019 Tungaloy Corporation
 - Copyrights Notice



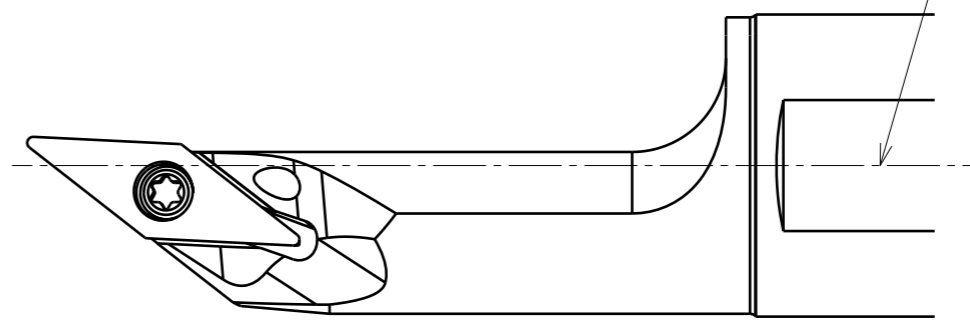


Isometric view
Scale: 1:1



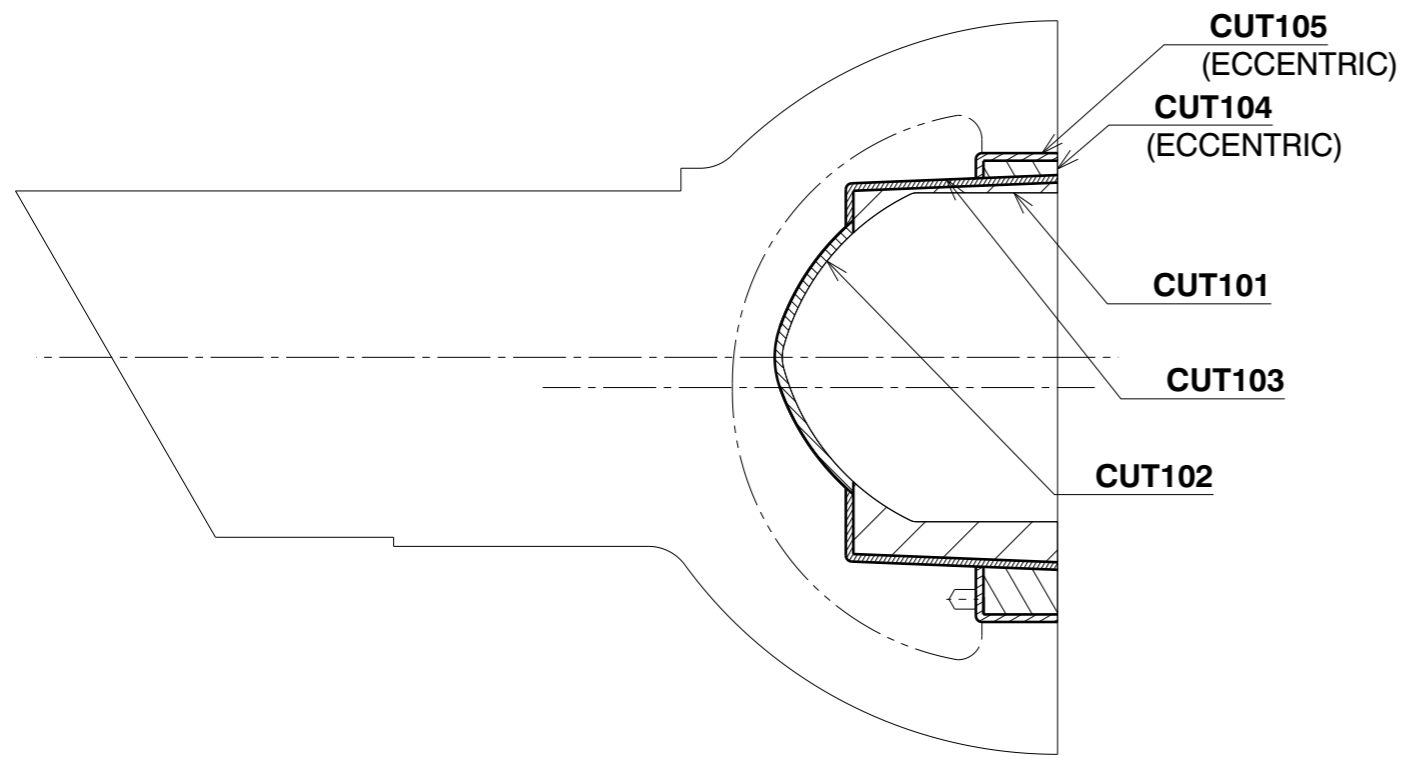
CUT 101/104
I.D. Turning Rough
A16Q-SWLXL04-D180
WXGU040304R-TS AH8015

MiniForceTurn
AH8000



CUT 102
I.D. Turning Rough
A20R-SVJBL11-D250
VBMT110304-PS AH8015

StreamJetBar
AH8000



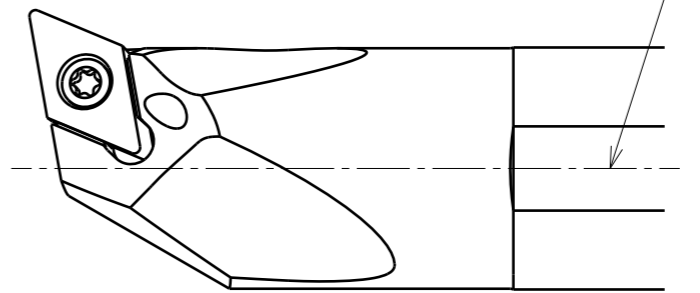
CUT105
(ECCENTRIC)

CUT104
(ECCENTRIC)

CUT101

CUT103

CUT102

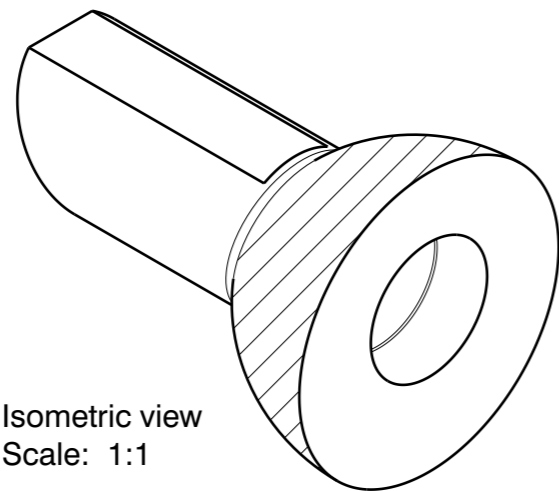


CUT 103/105
I.D. Turning Finish
A16Q-SDXXL07-D200
DXGU070304R-TS AH8015

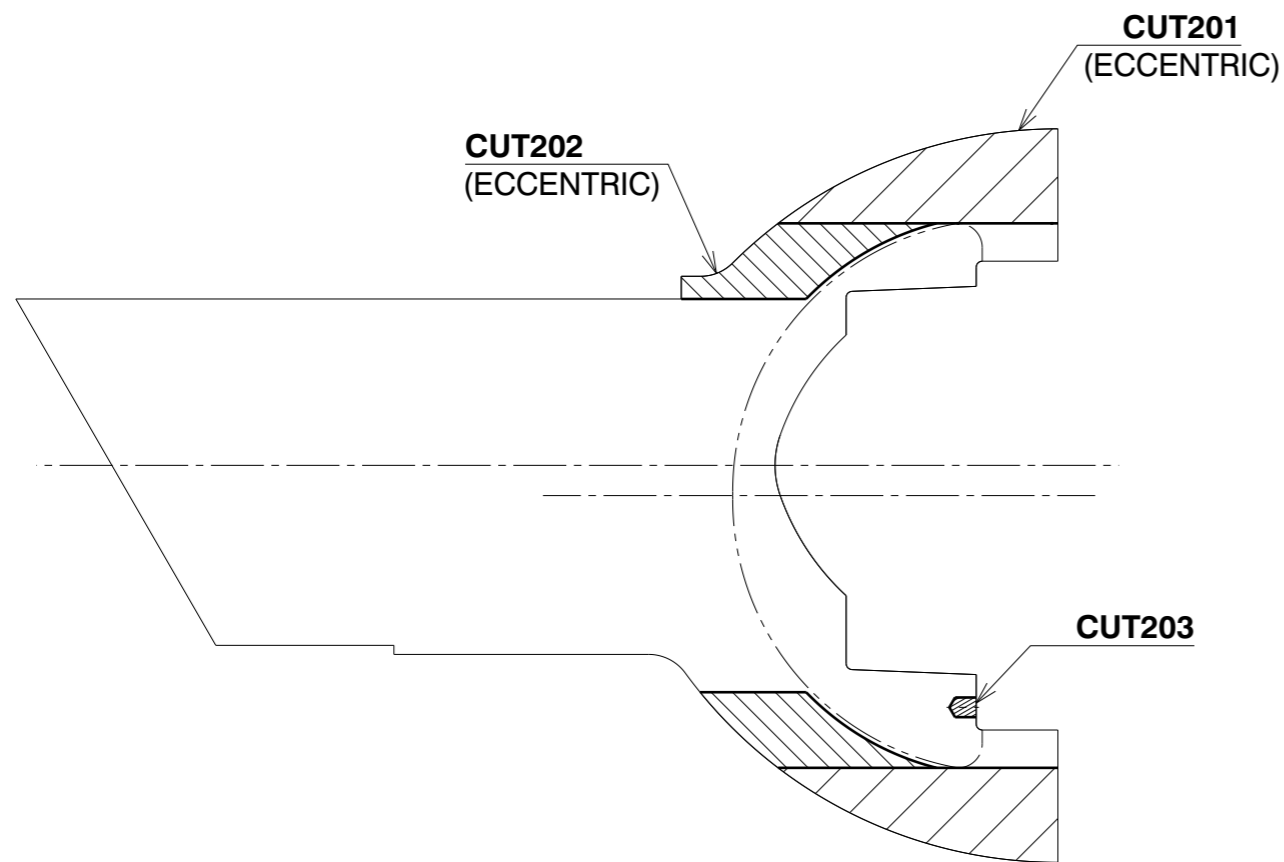
MiniForceTurn
AH8000

Lathe : I.D. Turning

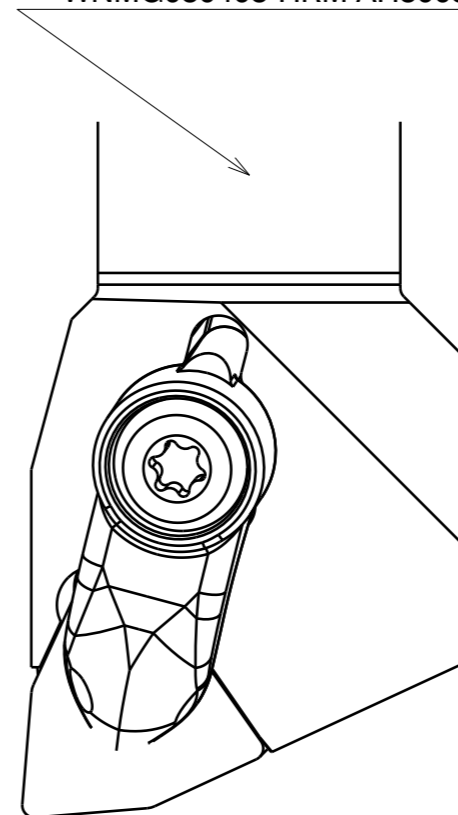
Unspecified Tolerances	Draw	--	--	Customer: TUNGALOY	Japan	
	Design			Designation:		
Dim.s:	Check			LAYOUT-ARTIFICIAL-JOINT-62309		Page 1
	Appr.			Process	Layout.	Of 1
Angles:	Scale	--	--	Concept		Rev. No. 0
						Reg.No. 62309/1
	© 2019 Tungaloy Corporation - Copyrights Notice			FL-40031824		A3L



Isometric view
Scale: 1:1

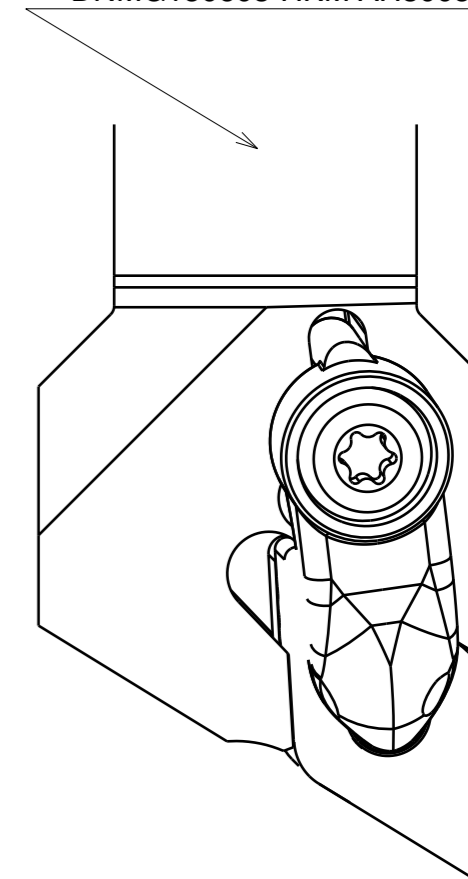


CUT 201
O.D.Turning Rough
AWLNL2020X-08-CHP-MC
WNMG080408-HRM AH8005



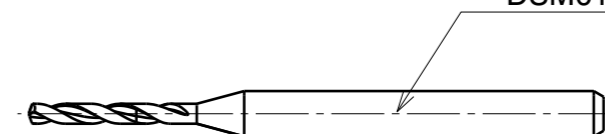
TungTurn-Jet
AH8000

CUT 202
O.D.Turning Rough
ADJNR2020X-15-CHP-MC
DNMG150608-HRM AH8005



TungTurn-Jet
AH8000

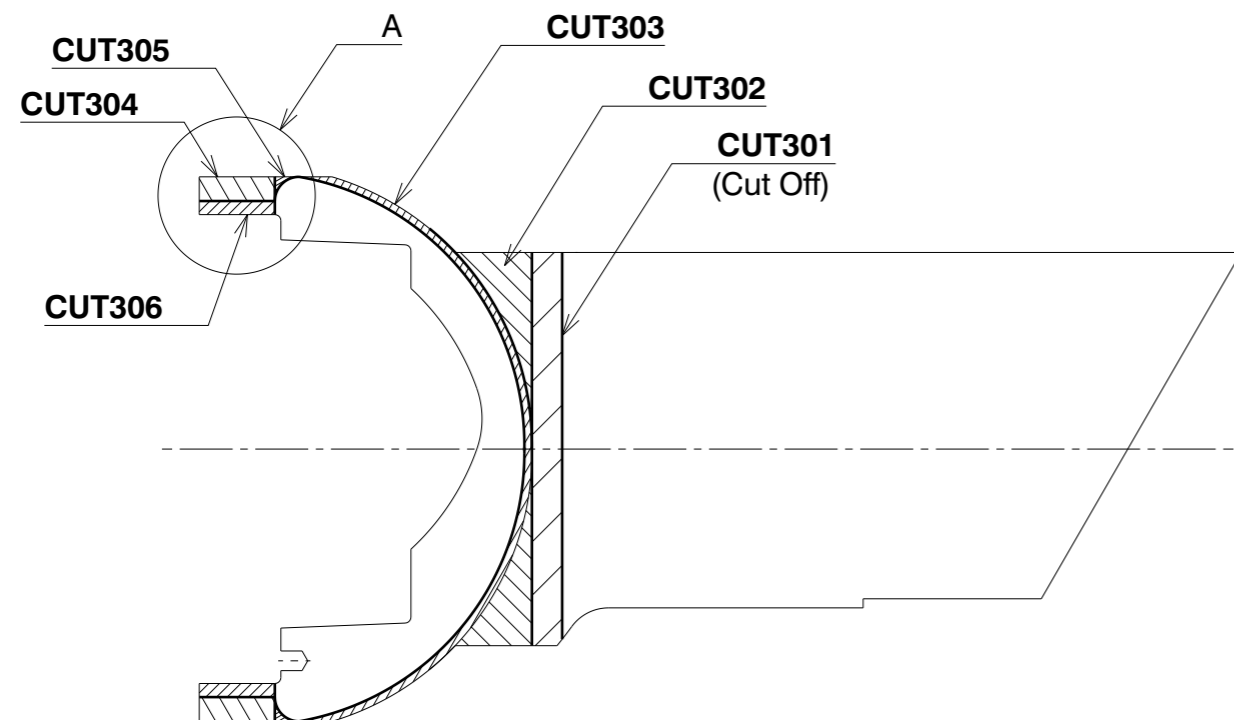
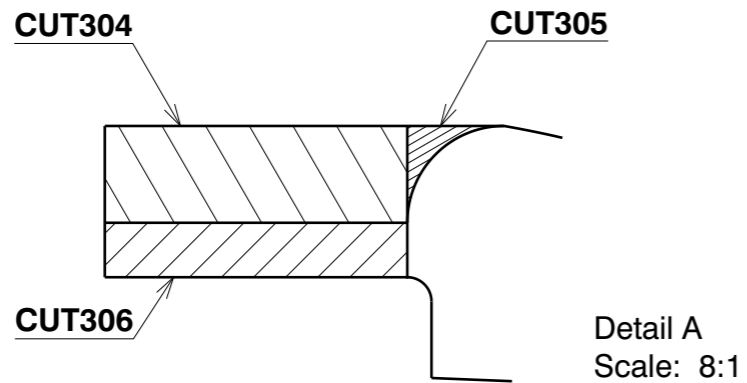
CUT203
Holemaking Finish
DSM0132G05



GigaMiniDrill

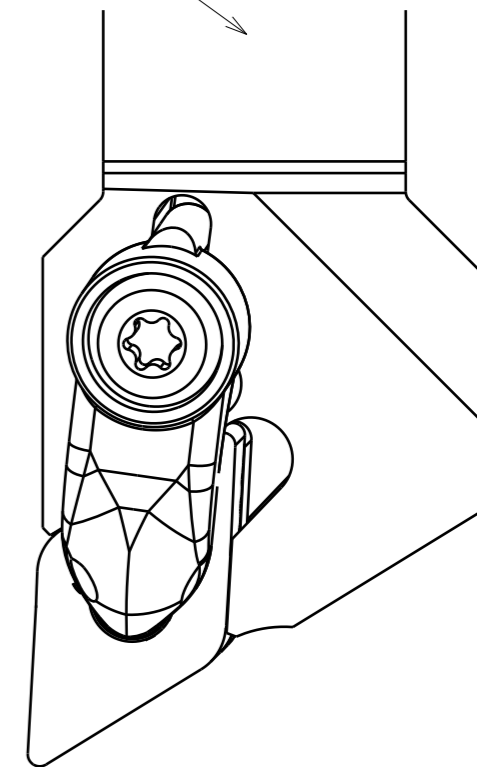
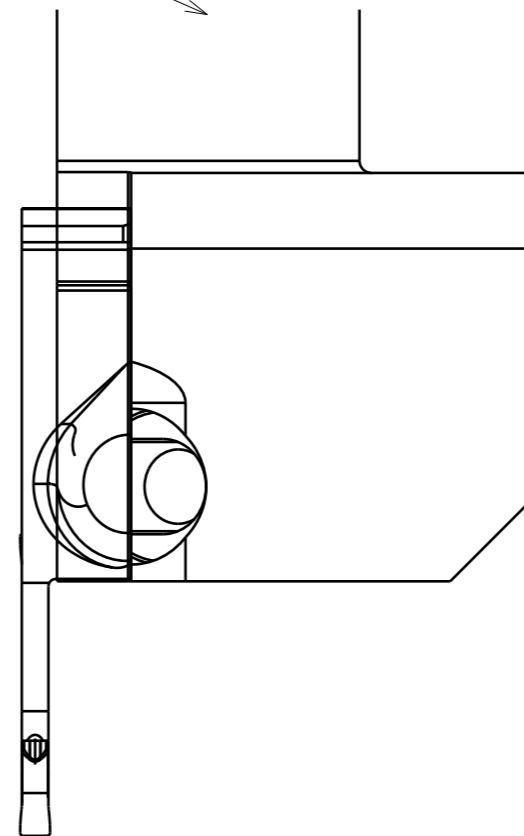
Lathe : O.D. Turning and Holemaking

Unspecified Tolerances	Draw	--	--	Customer: TUNGALOY	Japan	
Dim.s:	Design			Designation:		
Angles:	Check			LAYOUT-ARTIFICIAL-JOINT-62309		Page 1 Of 1
	Appr.			Process	Layout.	Rev. No.
	Scale	--		Concept		0
	© 2019 Tungaloy Corporation Copyrights Notice			FL-40031824		Reg.No. 62309/1
						A3L



CUT 301/302/304/305/306
External Grooving and Cut Off Rough/Finish
 CHSL2020-CHP
 CAEL-2T16-CHP
 DGM2-020 AH8005

CUT 303
O.D.Turning Finish
 ADJNL2020X-15-CHP-MC
 DNMG150608-HRF AH8005



TungCut
TungTurn-Jet
TungModularSystem
AH8000

TungTurn-jet
AH8000

Lathe : Face Turning and External Grooving

Unspecified Tolerances	Draw	--	--	Customer: TUNGALOY	Japan	
Dim.s:	Design			Designation:		
--	Check			LAYOUT-ARTIFICIAL-JOINT-62309		Page 1 Of 1
Angles:	Appr.			Process	Layout.	Rev. No.
--	Scale	--		Concept		0
				--		Reg.No.
				FL-40031824		62309/1
						A3L

