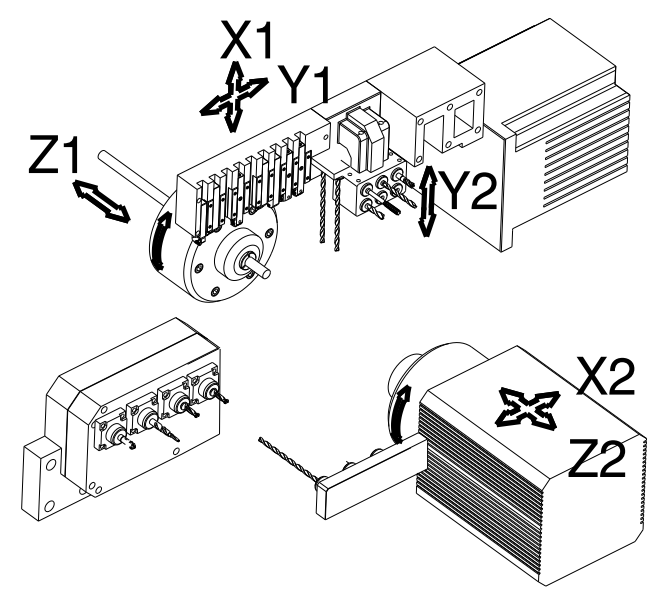
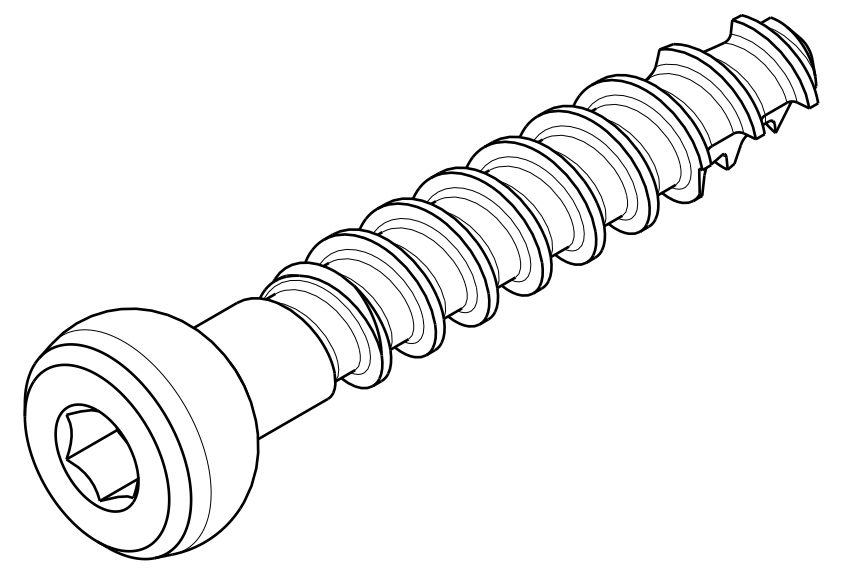


MODEL IN SCALE 5:1

MACHINE : Swiss machine
Tool size: □12



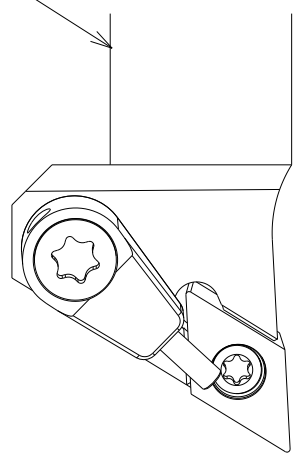
BONE SCREW

WORKPIECE MATERIAL - Stainless steel, Titanium alloy.

Unspecified Tolerances			Customer: TUNGALOY	Japan	
Dim.s:	--		Designation:		Dwg.No. 32448530-HCL
Angles:	--		Process	Layout.	Page 1 Rev. No. 0
			Scale	Lead Drawing	Of 1
				--	Reg.No. 62307/1
		© 2019 Tungaloy Corporation - Copyrights Notice		FL-40031773	A3L

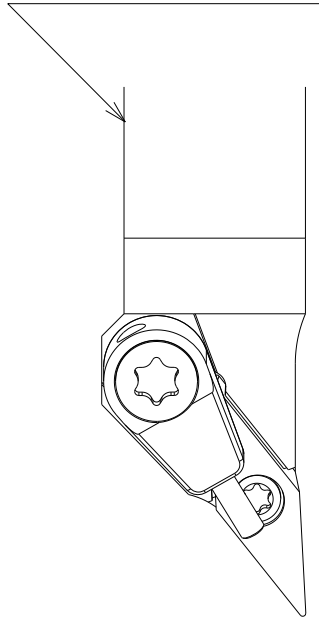
MODEL IN SCALE 3:1 TOOLS IN SCALE 2:1

CUT101
O.D. Turning Finish
 JSDJ2XR1212X07-CHP
 DXGU070302MFL-JS SH725
 DXGU070302L-TS AH8015



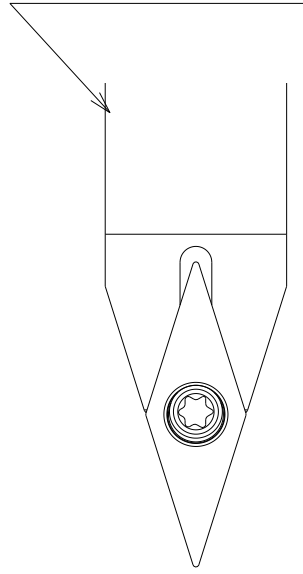
MiniForceTurn
TungTurnJet
AH8000

CUT101/102
O.D. Turning Finish
 JSVJ2XR1212X09-CHP
 VXGU09T202MFL-JS SH725



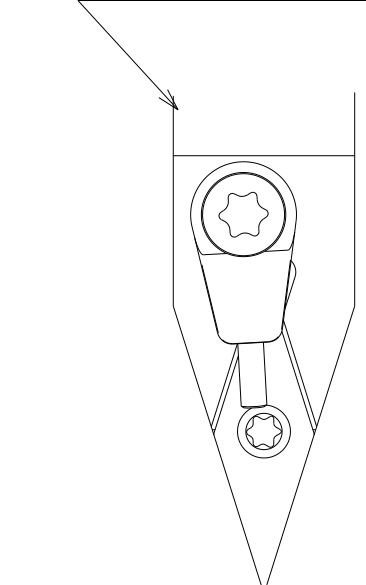
MiniForceTurn
TungTurnJet

CUT101/102
O.D. Turning Finish
 JSVNBN1212F11
 VBGT110302FN-JS SH725



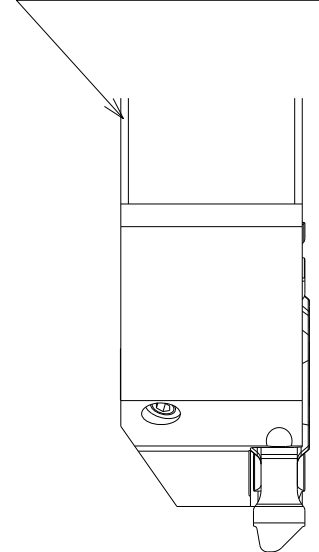
J-Series

CUT101/102
O.D. Turning Finish
 JSVNBN1212F11-CHP (Special)
 VBGT110302FN-JS SH725



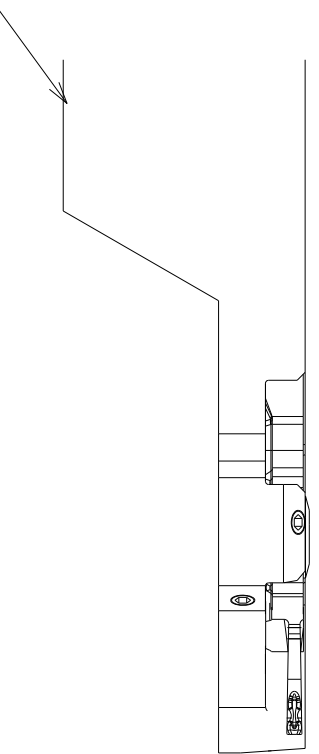
J-Series
TungTurnJet

CUT102/103
Thread turning Finish
 STCR1212-27-CHP
 TCG27BONE-A (Special)

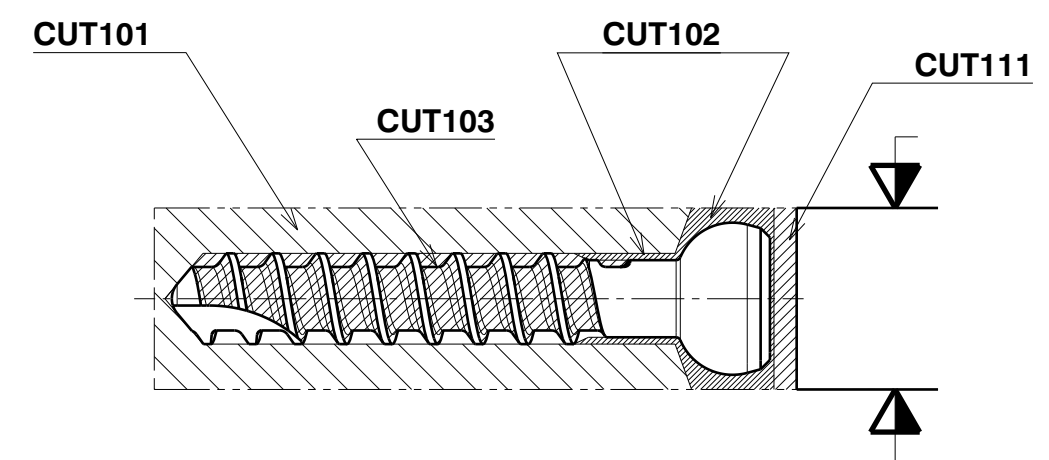


TetraForceCut
TungTurnJet

CUT111
Cut off Finish
 JSXXR1616X09B-S-CHP
 JXPS12R10F SH725



DuoJustCut
TungTurnJet

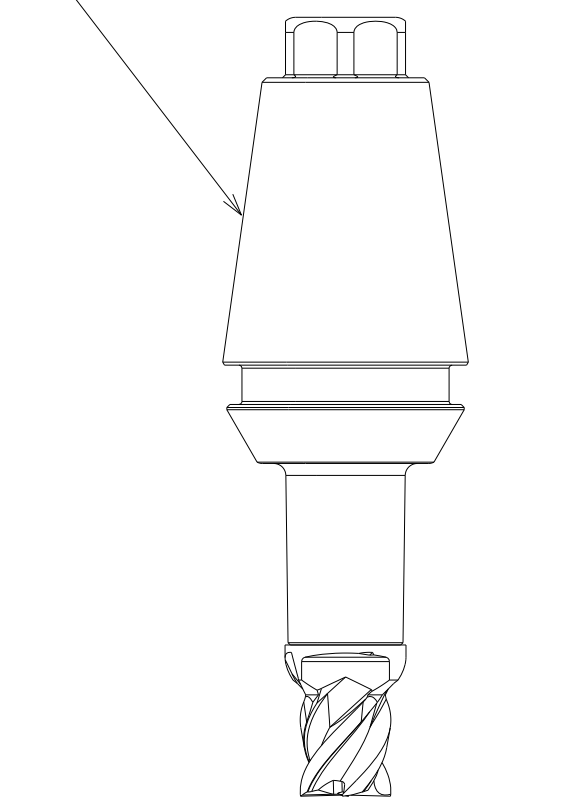


O.D. Turing

Unspecified Tolerances		Customer: TUNGALOY	Japan	
Dim.s:	-.-	Designation:	LAYOUT OP100-BONE SCREW	
Angles:	-.-	Process	Concept	Page 1
		Scale	-	Of 1
				Rev. No. 1
				Reg.No. 62307/1
				A3L

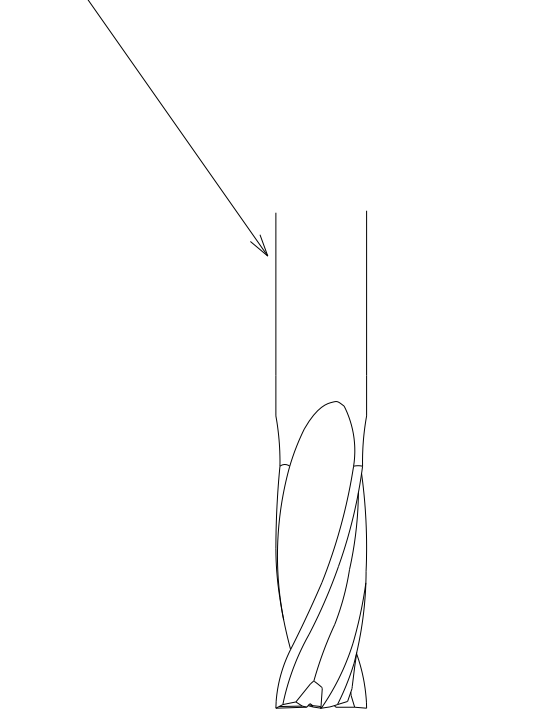
MODEL IN SCALE 3:1 TOOLS IN SCALE 2:1

CUT201
Shoulder Milling Finish
 VER16CL012S05-S
 VEE060L05.0R00-04S05AH725



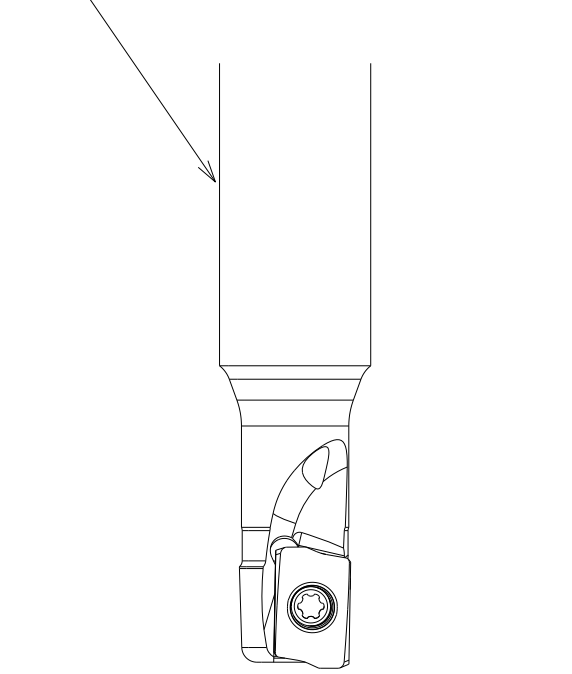
TungMeister

CUT201
Shoulder Milling Finish
 TEC060B4-16C06-57 AH725

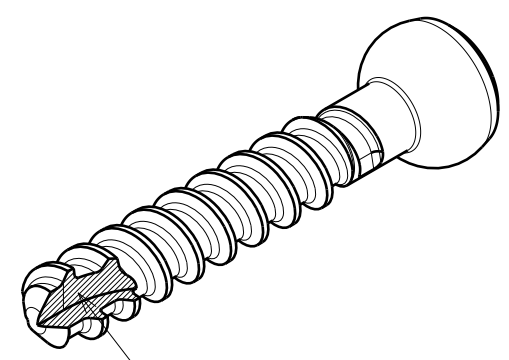


SolidMeister

CUT201
Shoulder Milling Finish
 EPAV06M008C10.0R01
 AVGT060300PBER-MJ AH3135



TungForceRec



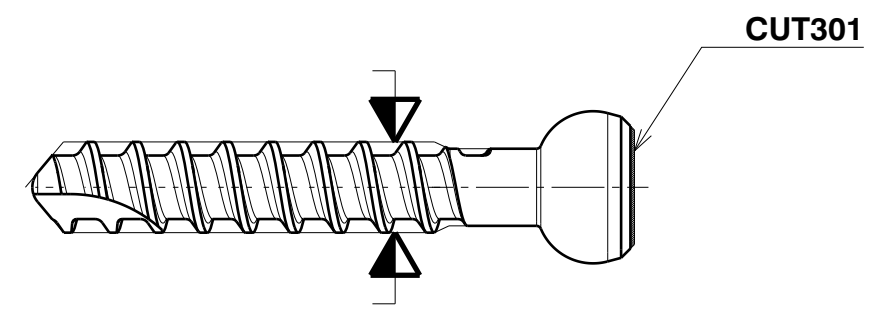
CUT201

Isometric view
 Scale: 3:1

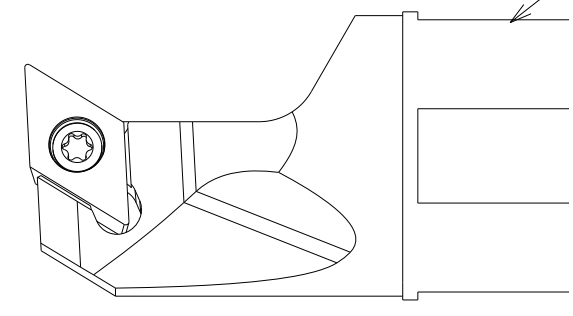
Pocket Milling

Unspecified Tolerances				Customer: TUNGALOY	Japan	
Dim.s:	-.-			Designation:	LAYOUT OP200-BONE SCREW	
Angles:	-.-			Process	Concept	Page 1 Rev. No. 1
		Scale	-			Of 1
		© 2019 Tungaloy Corporation - Copyrights Notice				Reg.No. 62307/1
					FL-40031773	A3L

MODEL IN SCALE 3:1 TOOLS IN SCALE 2:1

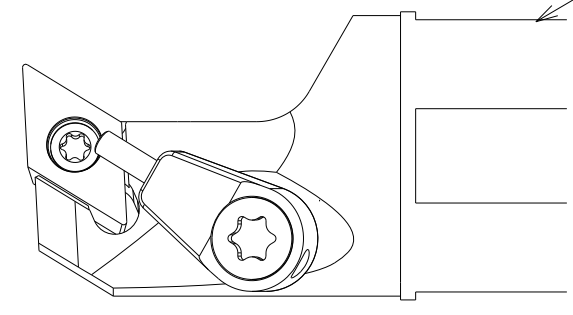


MiniForceTurn

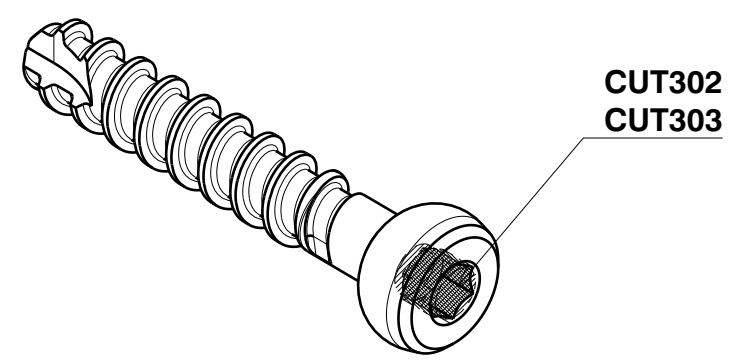


CUT301
O.D. Face Turning Finish
 JS19G-SDUXL07
 DXGU070302MFL-JSS SH725

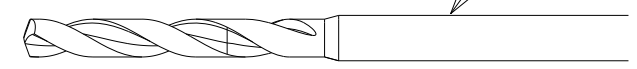
**MiniForceTurn
 TungTurnJet**



CUT301
O.D. Face Turning Finish
 JS19G-SDUXL07-CHP (Special)
 DXGU070302MFL-JSS SH725

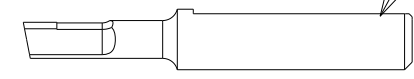


GigaMiniDrill



CUT302
Hole Making Rough
 DSM0250G05

SolidBroach



CUT303
Hex. Hole Finish
 SolidBroach (Special)

Sub Spindle : Face Turnig and Holemaking

Unspecified Tolerances	Draw		Customer: TUNGALOY	Japan	
	Design		Designation: LAYOUT OP300-BONE SCREW		
Dim.s:	Check		Process		Page 1
Angles:	Appr.		Concept		Of 1
	Scale	-	-		Rev. No.
	© 2019 Tungaloy Corporation - Copyrights Notice		FL-40031773		Reg.No. 62307/1
					A3L