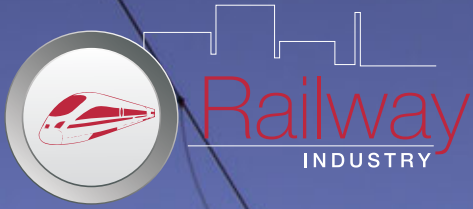


RAILWAY



INDUSTRY SOLUTIONS



Tungaloy's tooling solutions for the Railway Industry

Population growth, rapid urbanization, rising environmental concerns, and surging energy costs - all these megatrends fuel the growth in the global demand for rail transportation.

Regions that have not traditionally had a culture of rail travel, and places where there has been historical underinvestment, are turning to rail with vigor.

Tungaloy Corporation offers extensive tooling solutions to the growing global demands for manufacturing rails and rail wheels.



Rails
Rail Wheels
Rail Wheel Axles

MillLine
TECSLOT
TUNGALOY

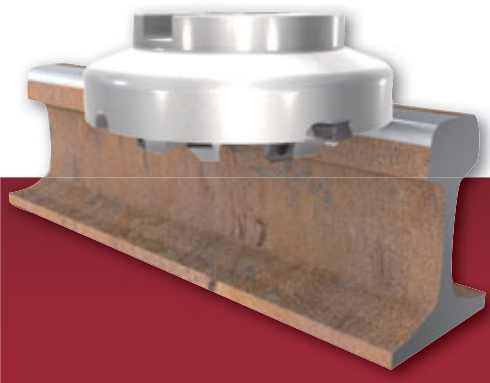
Inserts

The TecSlot insert is a highly reliable tangential insert, integrating the Right and Left edges in ONE insert, and can be incorporated in any tailor-made cutters. The insert periphery is ground to deliver a step-free surface finish.



MillLine
TAILOREDTOOL
TUNGALOY

Milling cutters for rail head profiling



Rails

TAILORMADE SOLUTIONS FOR RAIL MACHINING

MillLine
TAILOREDTOOL
TUNGALOY

Milling cutter for rail bottom profiling



■ DrillLine
TUNGSIX-DRILL
TUNGALOY

Drilling

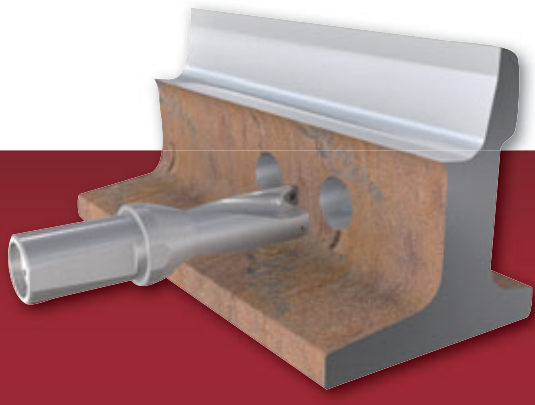
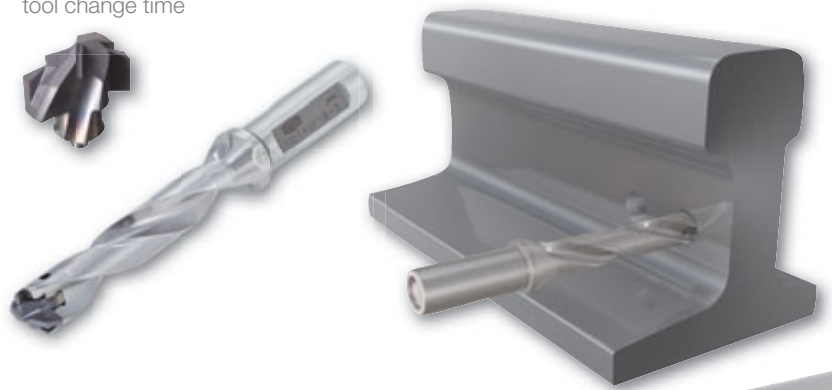
TungSix-Drill incorporates the world's first double-sided, trigonal inserts with six cutting edges to boost productivity and lower the cost per insert edge. Thanks to the optimal geometry, the same insert can be used for both the central and peripheral pockets.



■ DrillLine
DRILLMEISTER
TUNGALOY

Drilling

DrillMeister is a changeable-head drill system which not only improves efficiency compared to conventional high-speed steel drills, but also drastically reduces machining cost by minimizing tool change time



■ MillLine
TAILOREDTOOL
TUNGALOY

Milling cutter for rail web profiling



TurnLine
TAILORED TOOL
TUNGALOY

New wheel turning

A round insert in IC = $\varnothing 25$ mm or larger is used to profile the rim and flange of the wheel in one pass. A superior step-free surface finish is maintained, while machining at a high-feed rate.

Roughing



Finishing



Finishing



Rail Wheels

NEW WHEEL TURNING



RCMM-61

Integrates a general-purpose, groove type chipbreaker with a robust cutting edge ideal for high feed machining. The standard T9100 grade series adds stability to the tool performance.



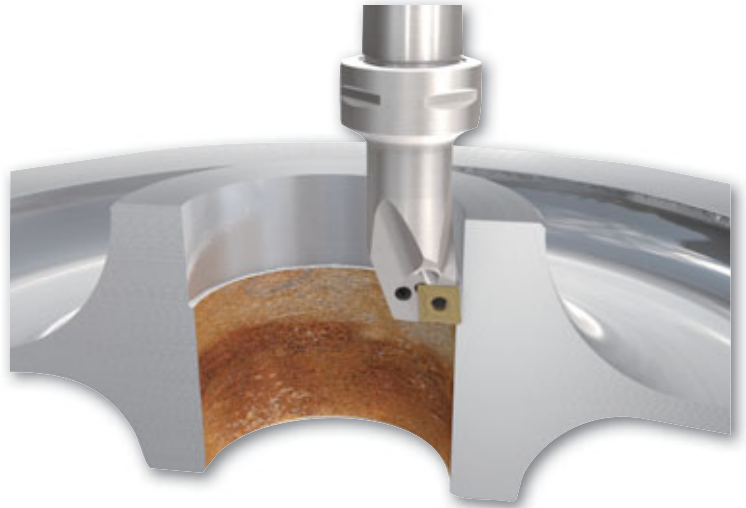
RCMM-H18

Incorporates a dedicated chipbreaker for rail wheel profiling. An obstruction type chip former geometry improves chip control in demanding operations.



New wheel turning

The boss area is turned with a standard ISO insert. This kind of tool is normally required to possess high wear resistance and chip controllability in order to accomplish the required dimension and machined surface quality in one pass.

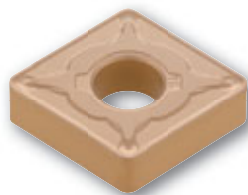


Boss Turning

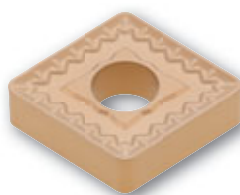
Excellent machining stability with the combination of Tungaloy's latest chipbreaking technology and T9100 series for high wear resistance.



TM Chipbreaker



THS Chipbreaker



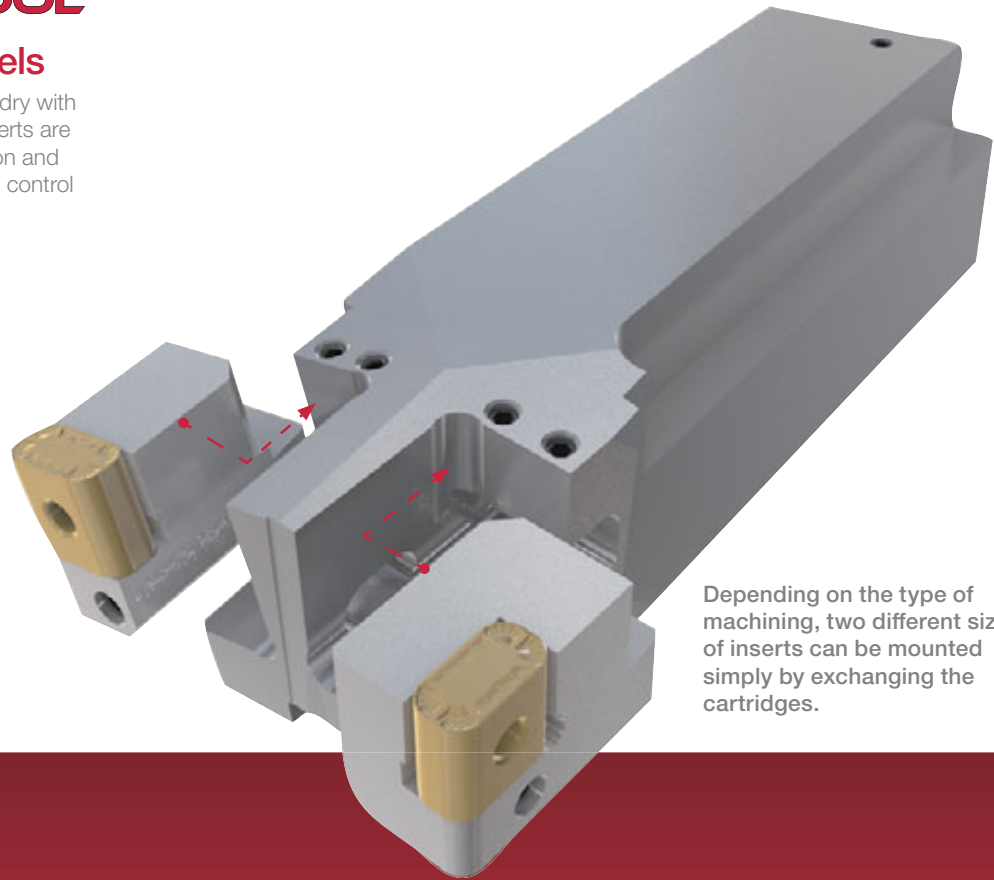
TUS Chipbreaker



TurnLine
TAILORED TOOL
TUNGALOY

Re-Turning rail wheels

Rail wheels are usually re-turned dry with an underfloor rail wheel lathe. Inserts are typically in vertical, upright position and are required to have smooth chip control and high fracture resistance.



Depending on the type of machining, two different sizes of inserts can be mounted simply by exchanging the cartridges.

Rail Wheels

RE-TURNING RAIL WHEELS

LNMX-TWF



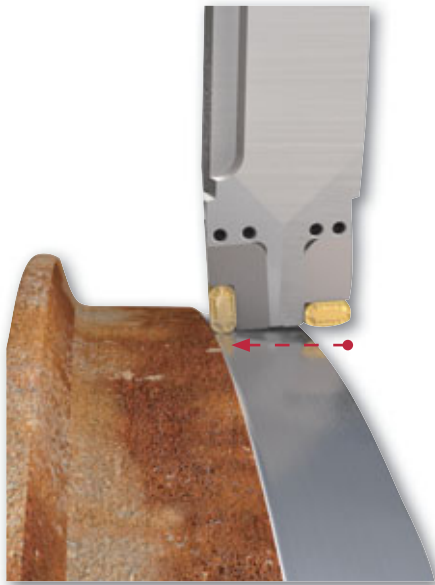
LNMX-TWM



Two inserts, each mounted on the cartridge, are used to re-turn and refurbish various parts of the rail wheel, including the rim, flange, and treads. Tungaloy offers tools with high fracture resistance and strong insert clamping, which are critical in rail wheel re-turning.

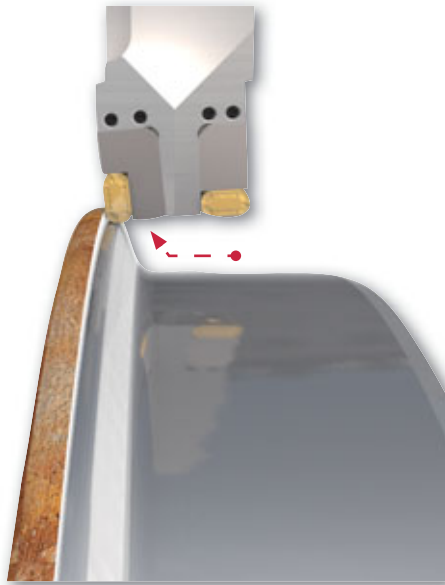
ALWAYS

Tread



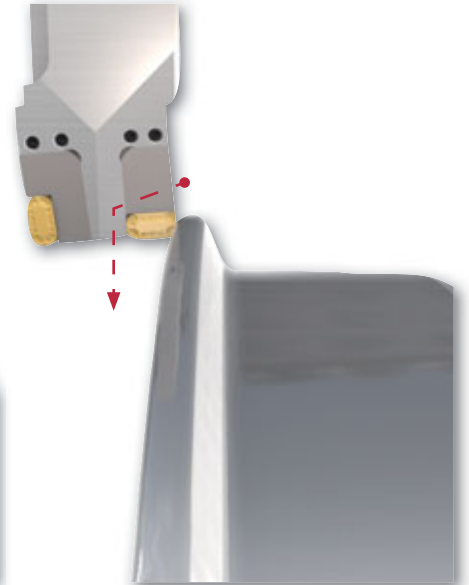
Vertical inserts for added tool rigidity

Flange



High accuracy in 3D profiling

Rim back



Stable chip control

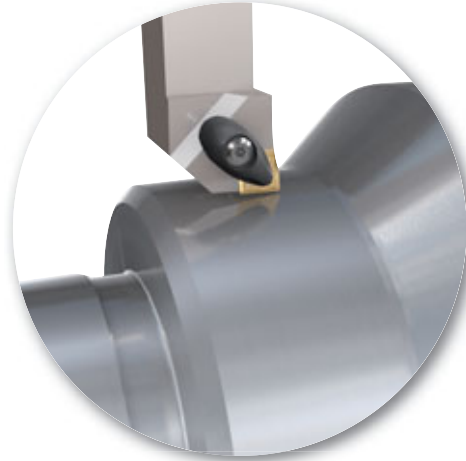


TurnLine
TUNGTURN
TUNGALOY

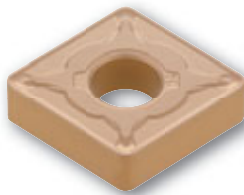
Turning

Excellent chip control and high efficiency are required in machining axles. Tungaloy's high performing standard ISO turning inserts are just what you need.

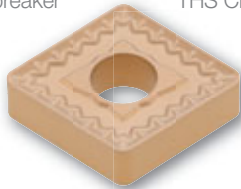
Excellent machining stability with the combination of Tungaloy's latest chipbreaking technology and T9100 series for high wear resistance.



TM Chipbreaker



THS Chipbreaker



TUS Chipbreaker

Rail Wheel Axle

SOLUTIONS FOR RAIL WHEEL AXLES



DrillLine
TAILOREDTOOL
TUNGALOY

Deep Hole Drilling

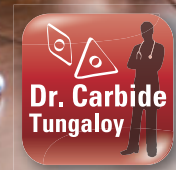
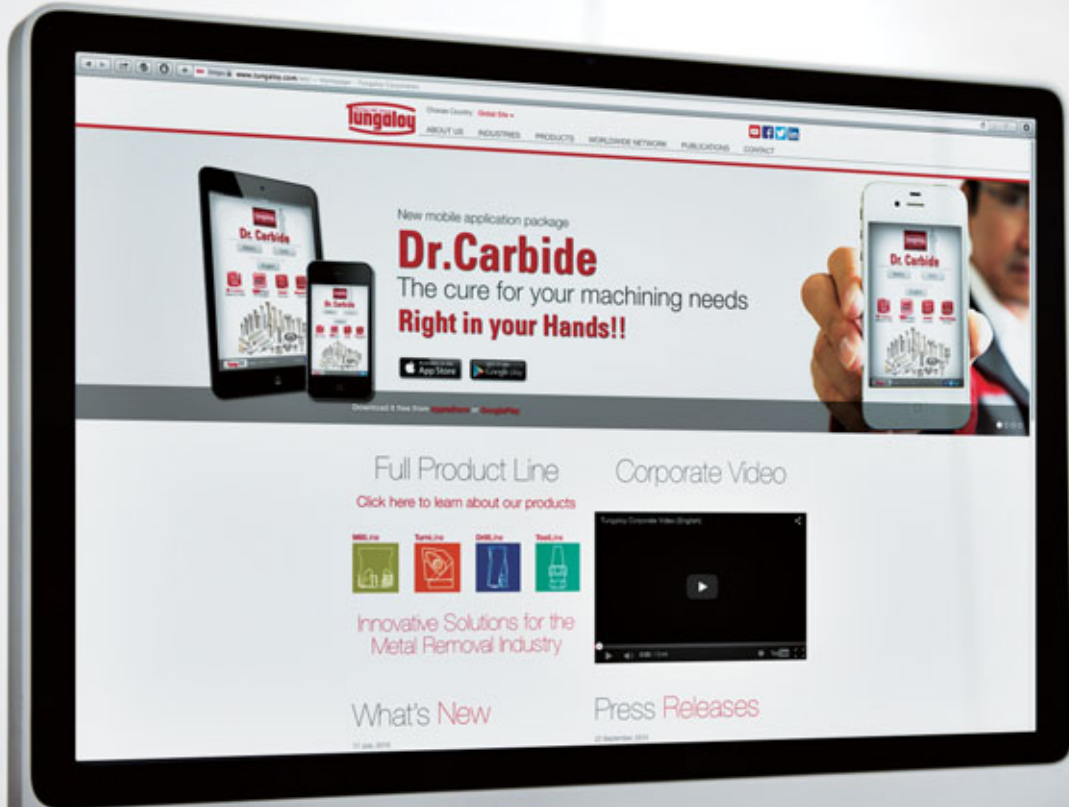
Many axles used in high-speed train wheelsets have an internal bore for weight reduction and vibration damping.

BTA drilling is the most effective method for drilling more straight and reliable deep holes than conventional holemakings.



ALWAYS

Check our **site** and **App** to get more info!



Available on the App Store



GET IT ON Google play

Tungaloy Corporation (Head office)

11-1 Yoshima-Kogyodanchi
Iwaki-city, Fukushima, 970-1144 Japan
Phone: +81-246-36-8501
Fax: +81-246-36-8542
www.tungaloy.co.jp

Tungaloy America, Inc.

3726 N Ventura Drive
Arlington Heights, IL 60004, U.S.A.
Phone: +1-888-554-8394
Fax: +1-888-554-8392
www.tungaloyamerica.com

Tungaloy Canada

432 Elgin St. Unit 3
Brantford, Ontario N3S 7P7, Canada
Phone: +1-519-758-5779
Fax: +1-519-758-5791
www.tungaloy.co.jp/ca

Tungaloy de Mexico S.A.

C Los Arellano 113,
Parque Industrial Siglo XXI
Aguascalientes, AGS, Mexico 20290
Phone: +52-449-929-5410
Fax: +52-449-929-5411
www.tungaloy.co.jp/mx

Tungaloy do Brasil Ltda.

Avd. Independencia N4158 Residencial Flora
13280-000 Vinhedo, São Paulo, Brasil
Phone: +55-19-38262757
Fax: +55-19-38262757
www.tungaloy.com.br

Tungaloy Germany GmbH

An der Alten Ziegelei 1
D-40789 Monheim, Germany
Phone: +49-2173-90420-0
Fax: +49-2173-90420-19
www.tungaloy.de

Tungaloy France S.A.S.

ZA Courtaboeuf - Le Rio
1 rue de la Terre de feu
F-91952 Courtaboeuf Cedex, France
Phone: +33-1-6486-4300
Fax: +33-1-6907-7817
www.tungaloy.fr

Tungaloy Italia S.r.l.

Via E. Andolfato 10
I-20126 Milano, Italy
Phone: +39-02-252012-1
Fax: +39-02-252012-65
www.tungaloy.it

Tungaloy Czech s.r.o.

Turanka 115
CZ-627 00 Brno, Czech Republic
Phone: +420-532 123 391
Fax: +420-532 123 392
www.tungaloy.cz

Tungaloy Ibérica S.L.

C/Miquel Servet, 43B, Nau 7
Pol. Ind. Bufalvent
ES-08243 Manresa (BCN), Spain
Phone: +34 93 113 1360
Fax: +34 93 876 2798
www.tungaloy.es

Tungaloy Scandinavia AB

Bultgatan 38
442 40 Kungälv, Sweden
Phone: +46-462119200
www.tungaloy.se

Tungaloy Rus, LLC

Andropova avenue, h.18/7,
11 floor, office 3, 115432,
Moscow, Russia
Phone: +7-499-683-01-80
Fax: +7-499-683-01-81
www.tungaloy.co.jp/ru

Tungaloy East LLC

620075, Russian Federation, Sverdlovsk
Region, Ekaterinburg, Mamina-Sibiryaka str.,
bldg. 101, room 202
Phone: +7-343-286-48-23/24
Fax: +7-912-284-91-69
www.tungaloy.co.jp/ru

Tungaloy Polska Sp. z o.o.

ul. Genewska 24
03-963 Warszawa, Poland
Phone: +48-22-617-0890
Fax: +48-22-617-0890
www.tungaloy.co.jp/pl

Tungaloy U.K. Ltd

The Technology Centre,
Wolverhampton Science Park
Glaisher Drive, Wolverhampton
West Midlands WV10 9RU, UK
Phone: +44 121 4000 231
Fax: +44 121 270 9694
www.tungaloy.co.uk
salesinfo@tungaloyuk.co.uk

Tungaloy Hungary Kft

Erzsébet királyné útja 125
H-1142 Budapest, Hungary
Phone: +36 1 781-6846
Fax: +36 1 781-6866
www.tungaloy.co.jp/hu
info@tungaloytools.hu

Tungaloy Turkey

Dudullu, OSB 4. Cad No:4
34776 Umraniye Istanbul, TURKEY
Phone: +90 216 540 04 67
Fax: +90 216 540 04 87
www.tungaloy.com.tr
info@tungaloy.com.tr

Tungaloy Benelux b.v.

Tjalk 70
NL-2411 NZ Bodegraven, Netherlands
Phone: +31 172 630 420
Fax: +31 172 630 429
www.tungaloy-benelux.com

Tungaloy Croatia

Josipa Kozarca 4
10432 Bregana, Croatia
Phone: +385 1 3326 604
Fax: +385 1 3327 683
www.tungaloy.hr

Tungaloy Cutting Tool (Shanghai) Co.,Ltd.

Rm No 401 No.88 Zhabei
Jiangchang No.3 Rd
Shanghai 200436, China
Phone: +86-21-3632-1880
Fax: +86-21-3621-1918
www.tungaloy.co.jp/tcts

Tungaloy Cutting Tool (Thailand) Co.,Ltd.

Interlink tower 4th Fl.
1858/5-7 Bangna-Trad Road
km.5 Bangna, Bangna, Bangkok 10260
Thailand
Phone: +66-2-751-5711
Fax: +66-2-751-5715
www.tungaloy.co.th

Tungaloy Singapore (Pte.), Ltd.

62 Ubi Road 1, #06-11 Oxley BizHub 2
Singapore 408734
Phone: +65-6391-1833
Fax: +65-6299-4557
www.tungaloy.co.jp/tspl

Tungaloy Vietnam

LE 04-38, Lexington Residence
67 Mai Chi Tho, Dist. 2,
Ho Chi Minh City, Vietnam
Phone: +84-8-37406660
Fax: +84-8-37406662
www.tungaloy.co.jp/tspl

Tungaloy India Pvt. Ltd.

Indiabulls Finance Centre,
Unit # 902-A, 9th Floor,
Tower 1, Senapati Bapat Marg,
Elphinstone Road (West),
Mumbai -400013, India
Phone: +91-22-6124-8804
Fax: +91-22-6124-8899
www.tungaloy.co.jp/in

Tungaloy Korea Co., Ltd

#1312, Byucksan Digital Valley 5-cha
Beotkkot-ro 244, Geumcheon-gu
153-788 Seoul, Korea
Phone: +82-2-2621-6161
Fax: +82-2-6393-8952
www.tungaloy.co.jp/kr

Tungaloy Malaysia Sdn Bhd

50 K-2, Kelana Mall, Jalan SS6/14
Kelana Jaya, 47301
Petaling Jaya, Selangor Darul Ehsan
Malaysia
Phone: +603-7805-3222
Fax: +603-7804-8563
www.tungaloy.co.jp/my

Tungaloy Australia Pty Ltd

PO Box 2232, Rowville,
Victoria 3178, Australia
Phone: +61-3-9755-8147
Fax: +61-3-9755-6070
www.tungaloy.com.au

PT. Tungaloy Indonesia

Kompleks Grand Wisata Block AA-10 No.3-5
Cibitung
Bekasi 17510, Indonesia
Phone: +62-21-8261-5808
Fax: +62-21-8261-5809
www.tungaloy.co.jp/id



www.tungaloy.com

follow us at:
facebook.com/tungaloyjapan
twitter.com/tungaloyjapan

To see this product in action visit:

Tung-TV

www.youtube.com/tungaloycorporation

Distributed by:



DOWNLOAD
Dr. Carbide App



Available on the
App Store



GET IT ON
Google play



AS9100 Certified
78006
2015.11.04
ISO14001 Certified
EC97J1123
1997.11.26

Produced from Recycled paper

Jan. 2018 (TJ)