



providing solutions for each industry

AUTOMOTIVE

www.tungaloy.com



INDUSTRY SOLUTIONS



Automotive
INDUSTRY

the **Key** to the **New** developments

The automotive industry, since its beginning in the 1890's, has been one of the most powerful industries in the world. It continuously demands new developments and improvements on the manufacturing processes.

For this reason Tungaloy's engineering teams and factories are located near the major car plants to provide automotive clients with creative solutions to improve their production processes.

Tungaloy invests heavily in R&D to provide the automotive industry with advanced solutions for sustained growth.



Engine
Transmission
Brake
Axle
Die&Mold
Small Parts

■ MillLine

DOOCTO K
TUNGALOY

Face Milling - Roughing

Economical 16 cornered insert solution clamped on adjustable pocket design. Also available with quick change mounting design.

1



■ MillLine

DOPENT N
TUNGALOY

Face Milling - Roughing

10-cornered insert with highly positive cutting edges and polished rake faces for roughing aluminum.

2



■ DrillLine

TAILOREDTOOL
TUNGALOY

Boring-CamBore

Boring pilot and finishing cam-bore with indexable blades.

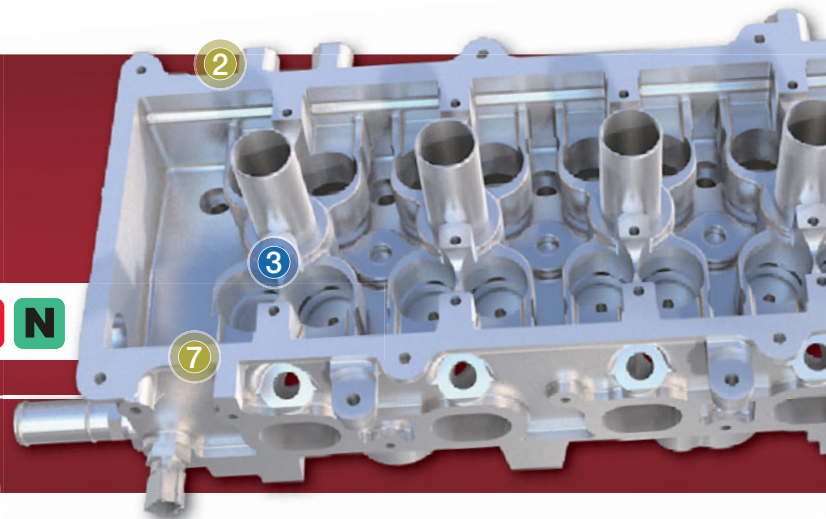
3



Cylinder Head

ENGINE

K N



■ MillLine

TUNGSMILL
TUNGALOY

Face Milling - Finishing

Tangential PCD/CBN inserts on extra close-pitch cutter. Various insert geometries are available.

7



Adjustable runout

OMOTIVE

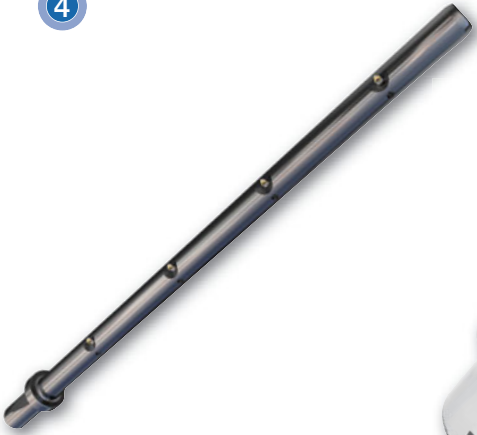
■ DrillLine

TAILORED TOOL
TUNGALOY

Boring - CamBore

Line bar in carbide body with micro-bore unit for finish boring.

4



■ DrillLine

TAILORED TOOL
TUNGALOY

Reaming - Before seat pressing

Valve Seat, Valve Guide.

Tailored tool with brazed carbide or PCD for rough and finish reaming of parent hole before seat pressing, the option with centering module is available.

5



■ DrillLine

TAILORED TOOL
TUNGALOY

Reaming - After seat pressing

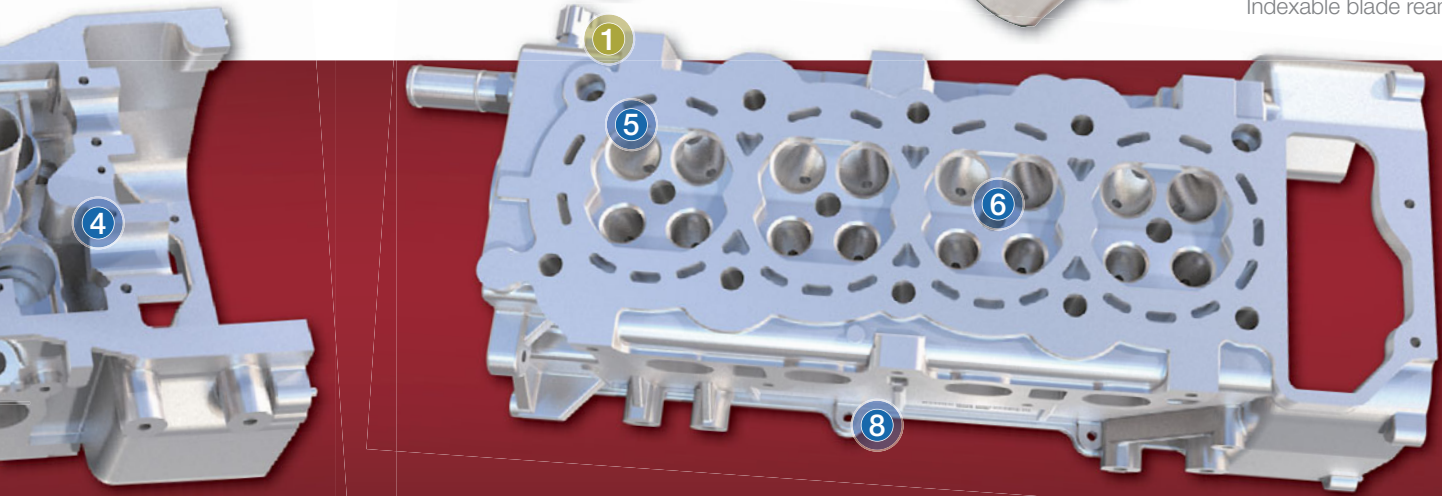
Valve Seat, Valve Guide.

Tailored tool with indexable PCD blades for rough and finish reaming of pressed seat and guide. Suitable for chamfering multi-angle seat profiles.

6



Indexable blade reamer



■ DrillLine

DRILLMEISTER
TUNGALOY

Drilling

Head-exchangeable drill reduces machine downtime. Available with chamfering adaptor.

8



Member IMC Group
tungaloy

www.tungaloy.com

■ MillLine

DOOCTO K

Face Milling - Roughing

Economical 16 cornered insert solution clamped on adjustable pocket design. Also available with quick change mounting design.

①



■ MillLine

DOPENT N

Face Milling - Roughing

10-cornered insert with highly positive cutting edges and polished rake faces for roughing aluminum.

②



Also suitable for machining of installed cylinder liner.

■ DrillLine

TAILOREDTOOL

Boring - Cylinder

Specially designed insert geometry reduces vibration.

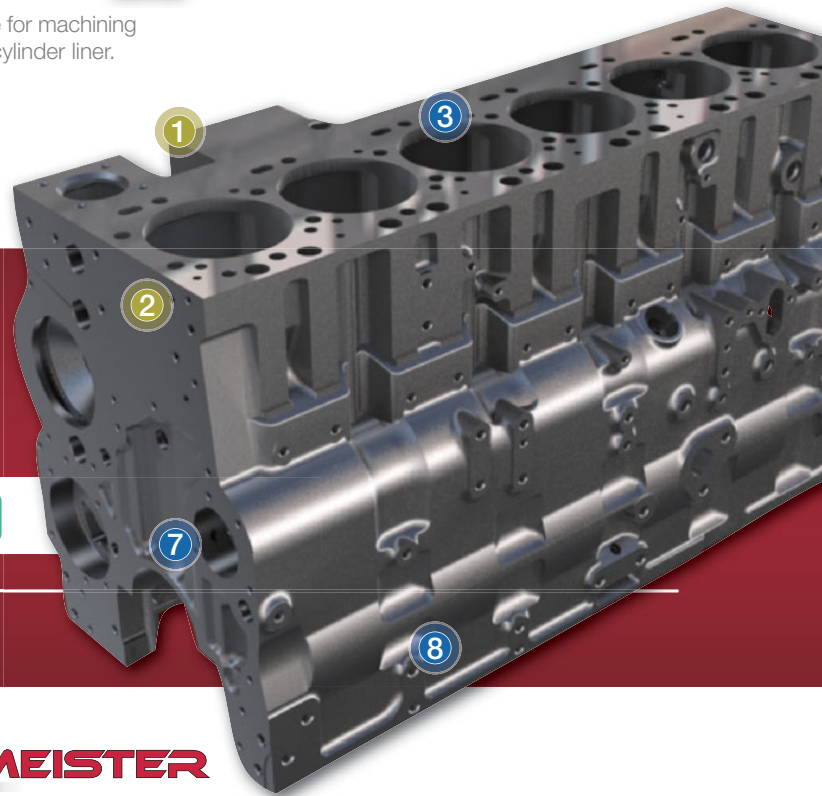
③



Cylinder Block

K N

ENGINE



■ DrillLine

TAILOREDTOOL

Boring - Crank Bore

Line bar in carbide or steel body with micro-bore unit for finish boring.

⑦



■ DrillLine

DRILLMEISTER

Drilling

Head-exchangeable drill reduces machine downtime. Available with chamfering adaptor.

⑧



OMOTIVE

MillLine

TAILOREDTOOL

Side Face Milling-Bearing

Gang milling cutter with staggered positioning of the inserts to avoid vibration.

4



TungSlot



TecSlot

MillLine

TAILOREDTOOL

Milling Crank Half Bore

Improved insert positioning to reduce steps.

5



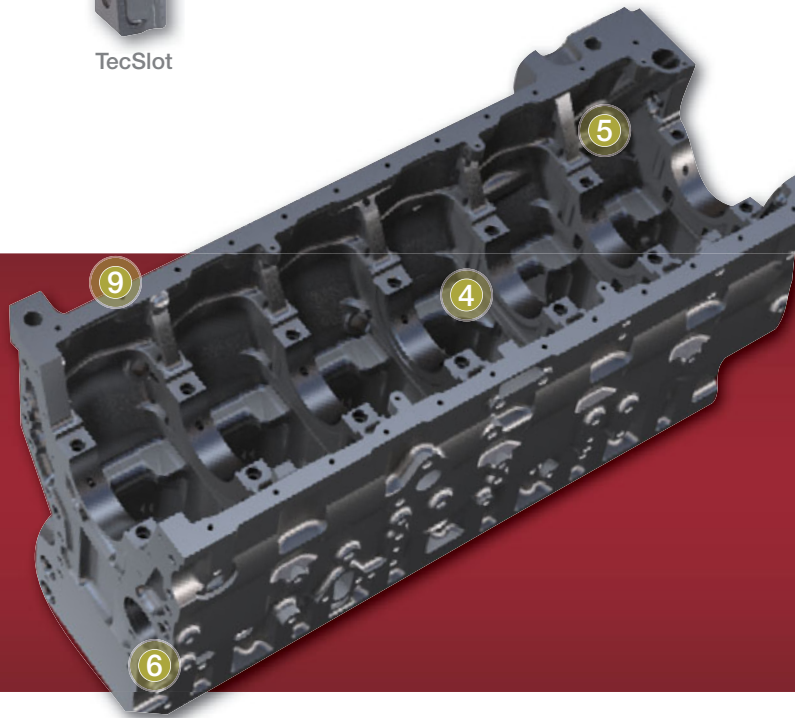
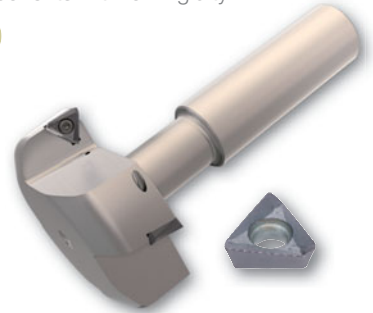
MillLine

TUNG-TRI

Shoulder Milling

3-cornered positive insert with anti-vibration design. Suitable for machining components with low rigidity.

6



MillLine

TUNGSMILL

Face Milling - Finishing

Tangential PCD/CBN inserts on extra close-pitch cutter. Various insert geometries are available.

9



Adjustable runout

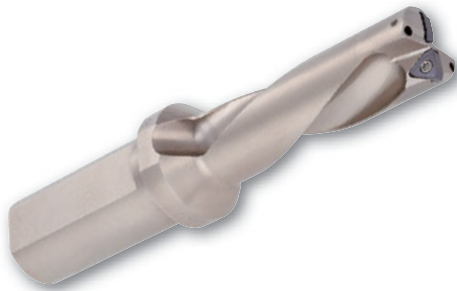
■ DrillLine

TUNG SIX-DRILL

Drilling

Double-sided, 6-cornered insert with reinforced central insert for stable drilling.

1



■ DrillLine

DRILLMEISTER

Drilling - Flange Hole

Head-exchangeable drill reduces machine downtime. Available with chamfering adaptor.

2



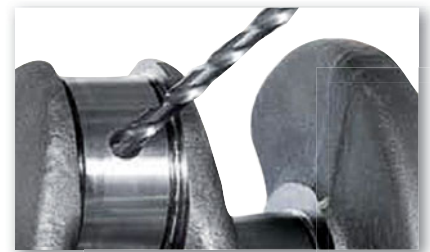
■ DrillLine

SOLIDDRILL

Drilling - Oil Hole

Long solid carbide drill. MQL machining is applicable.

3



Crank Shaft

P K



ENGINE

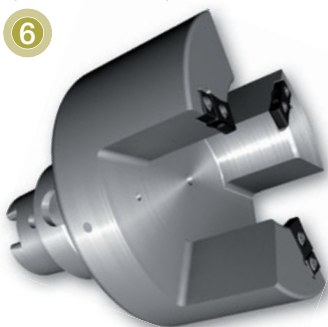
■ MillLine

TAILOREDTOOL

Hollow Milling - with Plunging Operation

Machining flange face by plunging operation in one pass.

6



■ TurnLine

TUNG CUT

Grooving

Multi-functional tool shortens cycle time as grooving, turning and facing can be performed in one operation.

7



OMOTIVE

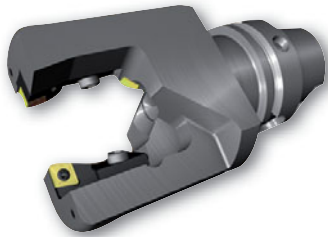
■ MillLine

TAILOREDTOOL
TUNGALOY

Hollow Milling - with Plunging Operation

Machining end face by plunging operation in one pass.

4



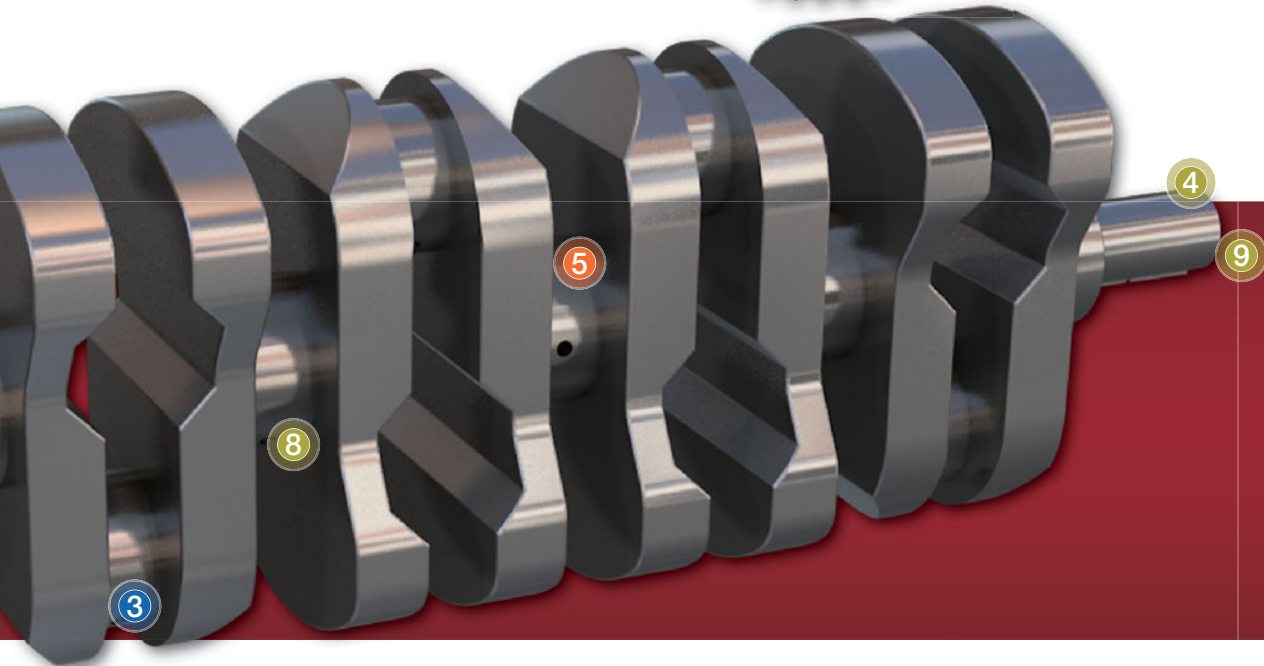
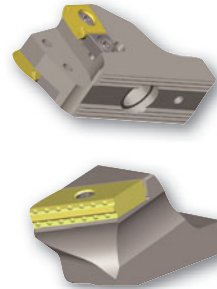
■ TurnLine

TAILOREDTOOL
TUNGALOY

Turn Broach

A complete solution for roughing and finishing of journal with specially designed insert and geometry.

5



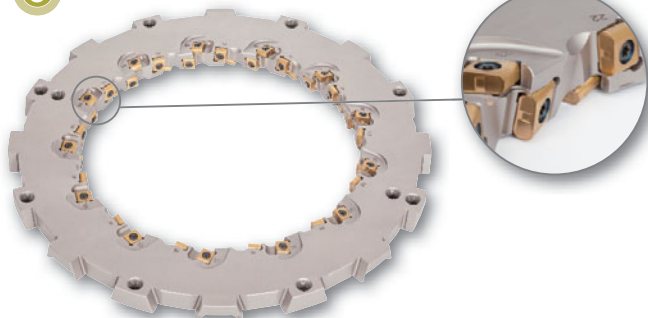
■ MillLine

TAILOREDTOOL
TUNGALOY

Pin Milling

8-cornered insert with positive rake angle for smooth pin milling.

8



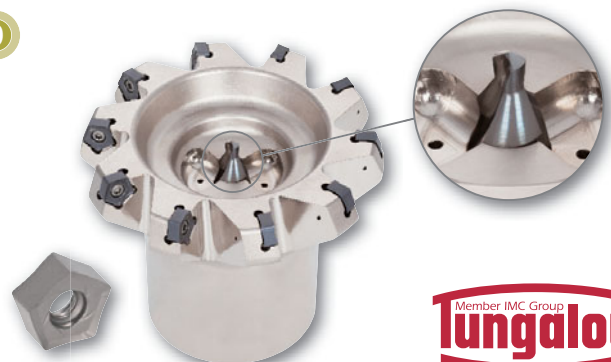
■ MillLine

DOPENT
TUNGALOY

Facing & Centering

Specially designed DoPent cutter combined with centering-drill for facing and centering, which reduces cycle time.

9



Member IMC Group
Tungaloy

TurnLine
Y-PRO SERIES
TUNGALOY

External Turning

25° included angle suitable for profile turning and under-cutting.



TurnLine
TUNGCUT
TUNGALOY

Grooving

Multi-functional tool shortens cycle time as grooving, turning and facing can be performed in one operation.



MillLine
TECSLOT
TUNGALOY

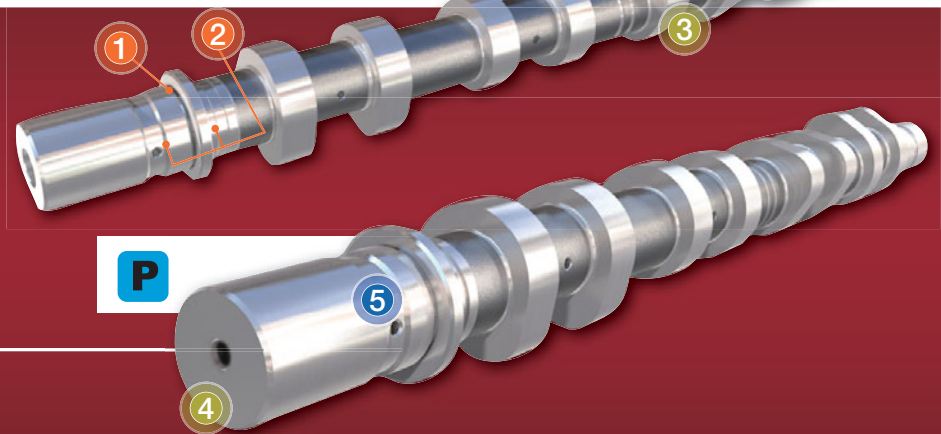
Milling - Cam Milling

Tailored tool cam for milling with chamfer.



Cam Shaft

ENGINE



MillLine
DOPENT
TUNGALOY

Facing & Centering

Specially designed DoPent cutter combined with centering-drill for facing and centering, which reduces cycle time.



DrillLine
SOLIDDRILL
TUNGALOY

Drilling

A solid carbide drill with high performance and long tool life.



OMOTIVE

■ MillLine

TUNGMEISTER
TUNGALOY

Shoulder Milling

Head changeable solid carbide endmill, drastically reduces set-up time.

1



■ DrillLine

SOLIDDRILL
TUNGALOY

Drilling

A solid carbide drill with high performance and long tool life.

2



■ MillLine

TUNGSLLOT
TUNGALOY

Slitting

6-cornered tangential insert with sharp cutting edge reduces burr, in slitting operation.

3



Connecting Rod

P

ENGINE



■ MillLine

DOPENT
TUNGALOY

Face Milling

10-cornered inserts provide economical advantages. Cermet grade achieves excellent surface finish.

4



Cermet grade insert

■ DrillLine

TUNGSIX-DRILL
TUNGALOY

Drilling

Double-sided, 6-cornered insert with reinforced central insert for stable drilling.

5



■ DrillLine

TAILOREDTOOL
TUNGALOY

Drilling, Boring, & Chamfering

One tailored tool can be applicable for drilling, boring, and chamfering, which significantly reduces the number of required tools.

6



Member IMC Group
Tungaloy

TurnLine

DIMPLEFX

Face Turning - Roughing

Hexagonal 12-cornered ceramic insert for highly productive machining.

1



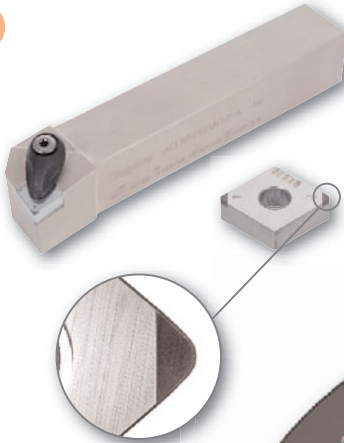
TurnLine

T-CBN SERIES

Face Turning - Finishing

CBN insert with excellent fracture resistance achieves long tool life.

2



Fly Wheel

K



ENGINE

TurnLine

DOMTURN

Boring

Double-sided insert with positive cutting edges provides economic advantages in boring.

3



DrillLine

DRILLMEISTER

Drilling

Head-exchangeable drill reduces machine downtime. Available with chamfering adaptor.

4



OMOTIVE

TurnLine

TUNGTURN
TUNGALOY

External Turning - Finishing

Special insert geometry for finishing slender parts.

1



TurnLine

TETRACUT
TUNGALOY

Grooving

Uniquely designed 4-cornered insert with sharp cutting edges. Inserts are also available in tailored profile.

2



MillLine

TUNGMEISTER
TUNGALOY

Balancing Operation

Head-changeable solid carbide endmill for balancing operation, reduces set-up time.

3

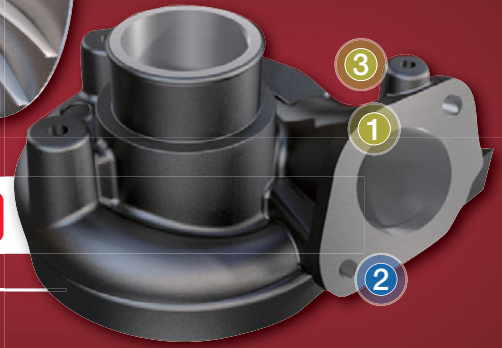


Impeller & Turbo Charger

P S

M K

ENGINE



MillLine

DOOCTO
TUNGALOY

Face Milling - Roughing

Double-sided insert with 16 cutting edges for roughing / semifinishing, ideal solution for high nickel + Cr or SiMo material.

1



DrillLine

DRILLMEISTER
TUNGALOY

Drilling

Head-exchangeable drill reduces machine downtime. Available with chamfering adaptor.

2



MillLine

TUNGSLLOT
TUNGALOY

Face Milling - Flange Back Face

Slotting cutter with economical 6-cornered insert. Applicable for face milling of back face of flange.

3



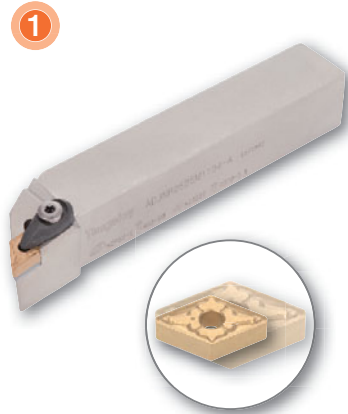
Member IMC Group
Tungaloy

www.tungaloy.com

TurnLine
ECOTURN
TUNGALOY

External Turning - Roughing

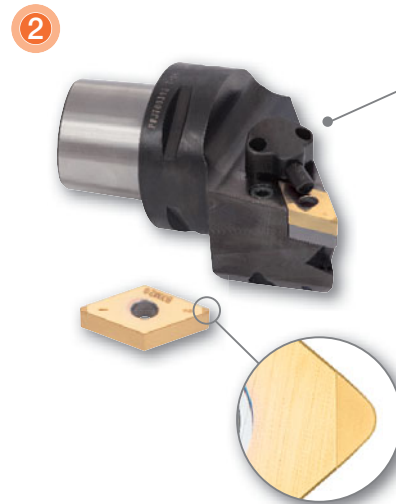
Small ECO insert in grade of T9100 series with PremiumTec.



TurnLine
T-CBN SERIES
TUNGALOY

External Turning - Finishing

CBN inserts in BXM grade series provide long tool life and reliability in machining of hardened parts.



ToolLine
TUNGCAP
TUNGALOY

PSC system with polygonal design provides quick tool change, high accuracy, and high repeatability.



Transmission Shaft

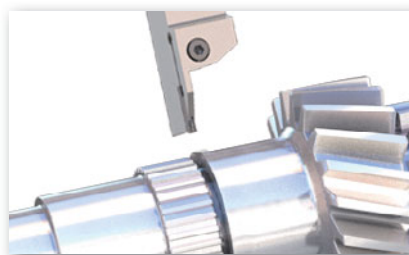
H

TRANSMISSION

TurnLine
TUNG CUT
TUNGALOY

Grooving

Multi-functional tool shortens cycle time as grooving, turning and facing can be performed in one operation.

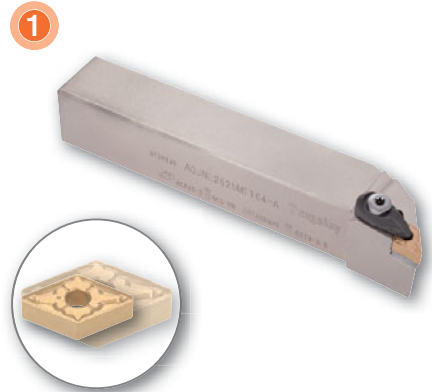


OMOTIVE

TurnLine
ECOTURN
TUNGALOY

External Turning - Roughing

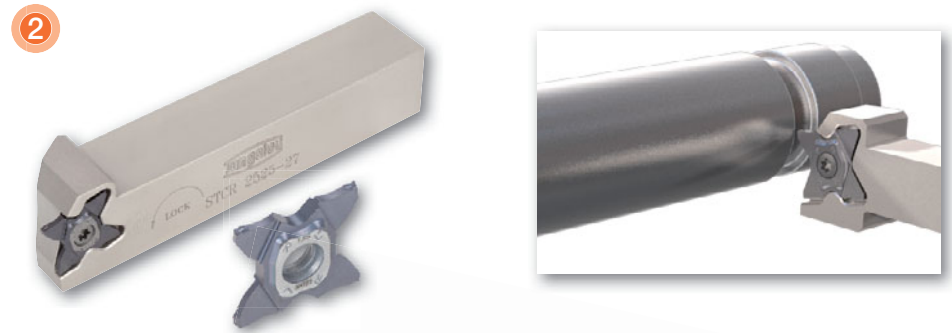
Small ECO insert in grade of T9100 series with PremiumTec.



TurnLine
TETRACUT
TUNGALOY

Grooving

Uniquely designed 4-cornered insert with sharp cutting edges suitable for shallow grooving.



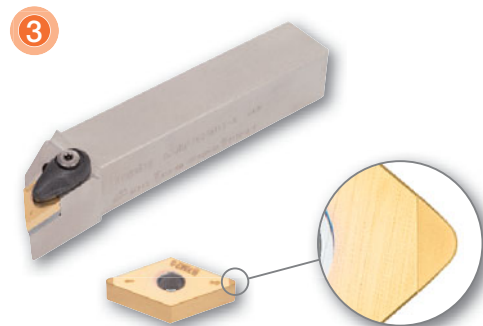
CVJ Pinion Final

TRANSMISSION

TurnLine
T-CBN SERIES H
TUNGALOY

External Turning - Finishing

CBN inserts in BXM grade series provide long tool life and reliability in machining of hardened parts.



■ MillLine
DOPENT
TUNGALOY

Face Milling - Roughing

10-cornered insert with highly positive cutting edges and polished rake face for roughing aluminum.

1



■ MillLine
TUNG-ALUMILL
TUNGALOY

Shoulder Milling

Excellent aluminum cutter with highly positive insert. Suitable for machining with large depth of cut due to the secure insert clamping system.

2



■ MillLine
TUNGSMILL
TUNGALOY

Face Milling - Finishing

Tangential PCD/CBN inserts on extra close-pitch cutter. Various insert geometries are available.

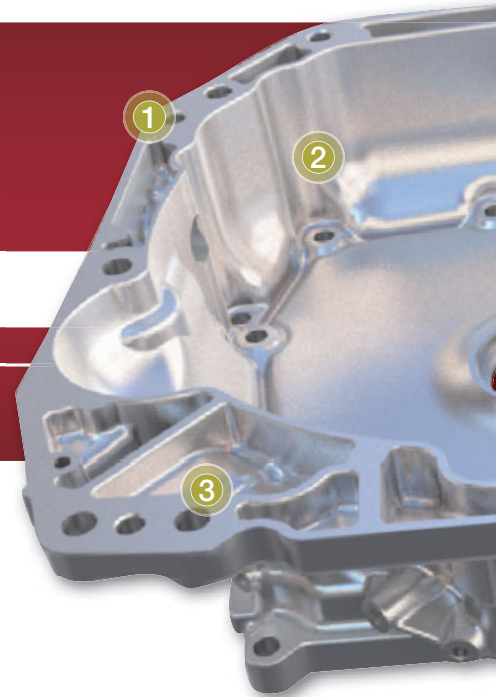
3



Adjustable runout

Transmission Case

N



TRANSMISSION

■ DrillLine
DRILLMEISTER
TUNGALOY

Drilling

Head-exchangeable drill reduces machine downtime. Available with chamfering adaptor.

5



OMOTIVE

DrillLine

TAILORED TOOL
TUNGALOY

Boring, Reaming, Slotting, and Profiling

Exclusively designed tools with PCD cutting edges for highly productive machining. Available in PCD-brazed type or PCD blade type.

4



Slitting



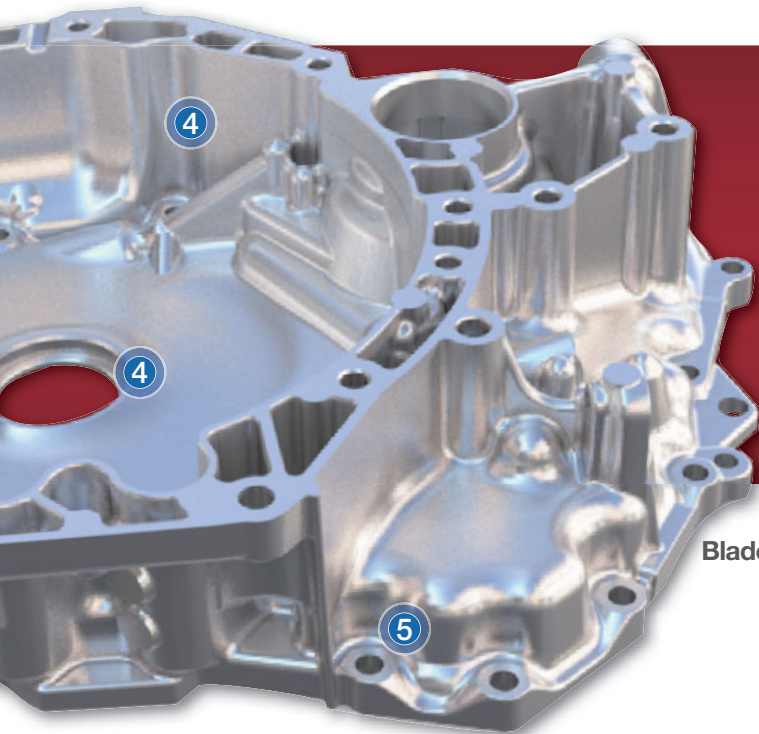
Reaming + Chamfer



Boring + Counter



Formed Tool



Blade Reamers with guide-pads



Member IMC Group
Tungaloy

www.tungaloy.com

TurnLine
TUNG CUT
TUNGALOY

Grooving

Multi-functional tool shortens cycle time as grooving, turning and facing can be performed in one operation.



TurnLine
T-CBN SERIES
TUNGALOY

Internal Turning - Finishing

CBN for long tool life and reliability in finishing of hardened steel.



ToolLine
TUNG CAP
TUNGALOY

PSC system with polygonal design provides quick tool change, high accuracy, and high repeatability.



Idler Gear Ring Gear

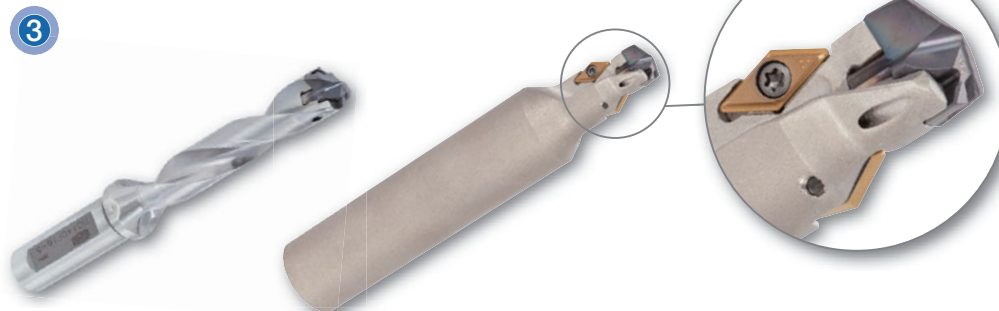
P H

TRANSMISSION

DrillLine
DRILLMEISTER
TUNGALOY

Drilling

Head-exchangeable drill reduces machine downtime. Available in tailored tools for drilling combined with chamfering or counterboring.



OMOTIVE

DrillLine

DRILLMEISTER
TUNGALOY

Drilling

Head-exchangeable drill reduces machine downtime.

1



DrillLine

TUNGSIX-DRILL
TUNGALOY

Drilling

Double-sided, 6-cornered insert with reinforced central insert for stable drilling.

2



MillLine

TAILOREDTOOL
TUNGALOY

Internal Milling

Exclusively designed spherical cutter used on dedicated machines for milling of differential case.

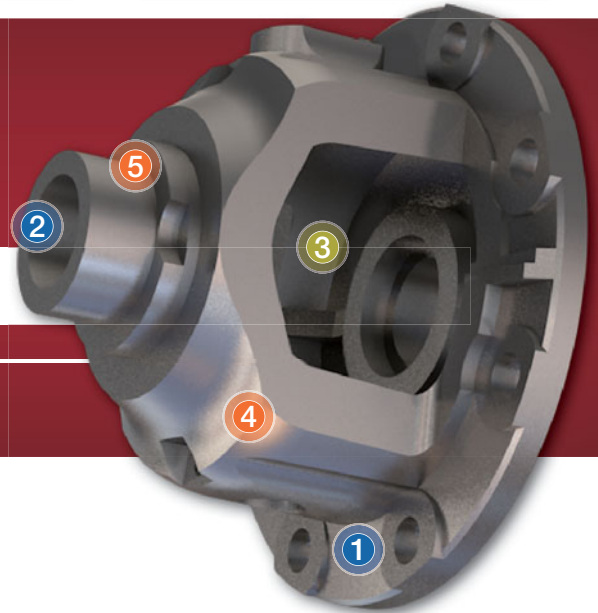
3



Differential Case

TRANSMISSION

K



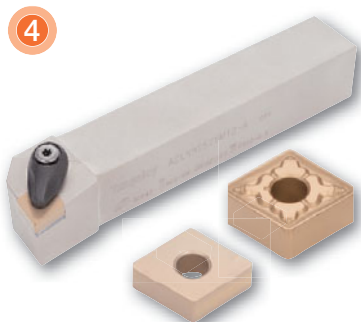
TurnLine

TURNINGA
TUNGALOY

External Turning - Roughing

Highly rigid "Double-clamp" system provides remarkable stability and high accuracy.

4



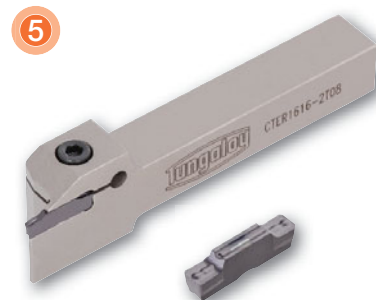
TurnLine

TUNGCUT
TUNGALOY

Grooving

Multi-functional tool system for grooving and turning.

5



Member IMC Group
Tungaloy

www.tungaloy.com

■ MillLine

TAILOREDTOOL
TUNGALOY

Slot Milling

Optimized insert positioning for slotting with large cutting width.



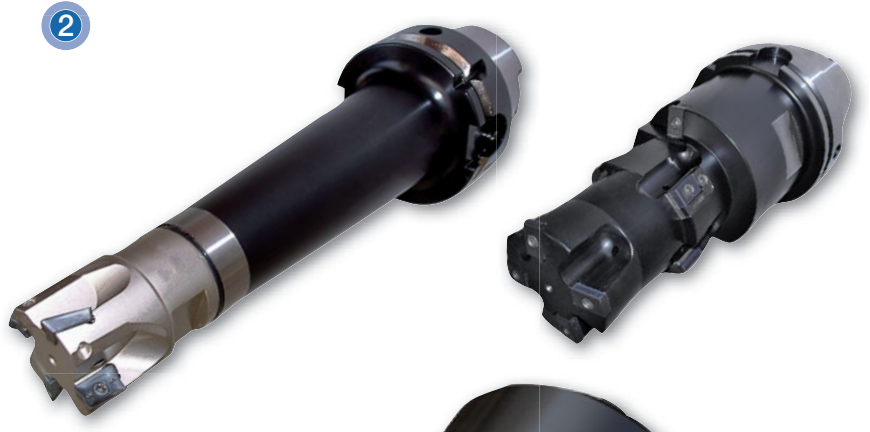
TecSlot

■ MillLine

TAILOREDTOOL
TUNGALOY

Boring

Tailored tool for boring and countersinking with long damped adaptors for reducing vibration.



Brake Caliper



BRAKE

■ DrillLine

DRILLMEISTER
TUNGALOY

Drilling

Head-exchangeable drill reduces machine downtime.



OMOTIVE

TurnLine

DIMPLEFX
TUNGALOY

Face Turning - Roughing

Hexagonal 12-cornered ceramic insert for highly productive machining.

1



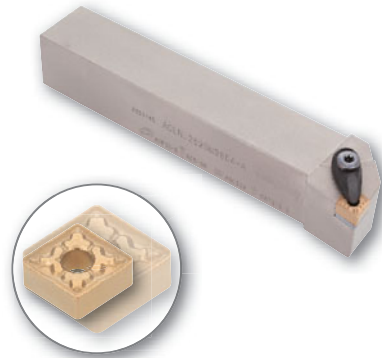
TurnLine

ECOTURN
TUNGALOY

Face Turning - Roughing

Small ECO insert in grade of T9100 series with PremiumTec.

2



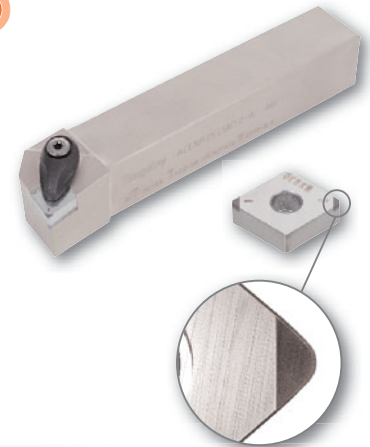
TurnLine

T-CBN SERIES
TUNGALOY

Face Turning - Finishing

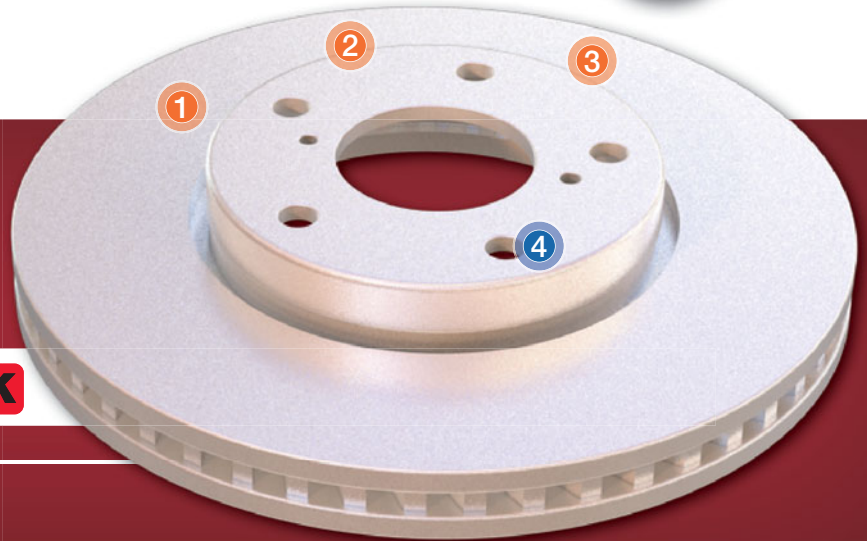
CBN for long tool life and reliability in finishing of cast iron.

3



Brake Disc

BRAKE



DrillLine

DRILLMEISTER
TUNGALOY

Drilling

Head-exchangeable drill reduces machine downtime. Available with chamfering adaptor.

4



Member IMC Group
Tungaloy

www.tungaloy.com

■ MillLine

TUNGSLLOT

Milling - Two Faces

Specially designed cutter with economical 6-cornered insert for milling two faces in one operation.

1



■ MillLine

DOREC

Face Milling

Suitable for face milling of narrow space close to the wall, economical double-sided insert, yet with sharp geometry to reduce cutting force.

2



■ DrillLine

TAILOREDTOOL

Boring & Chamfering

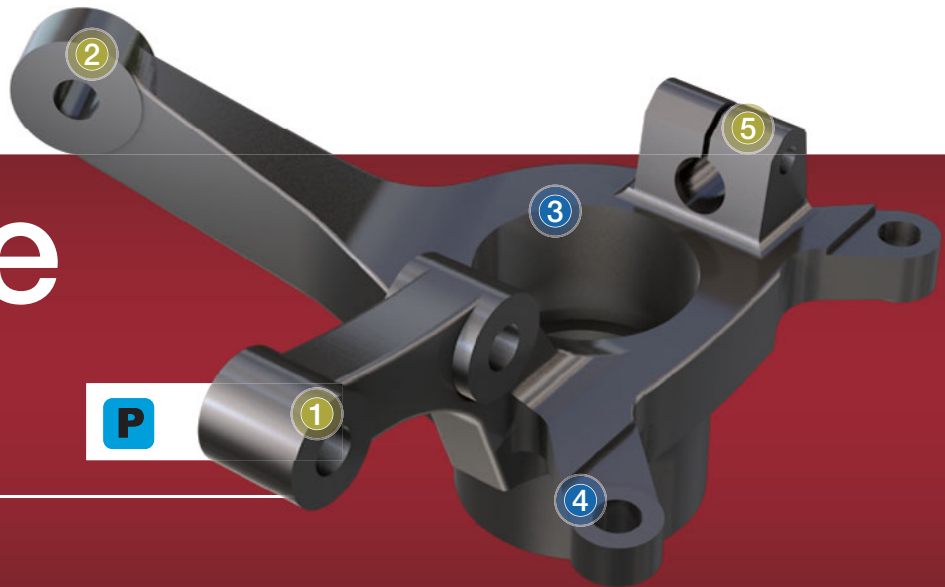
Specially designed tools for boring with steps and chamfering in one operation.

3



Knuckle Arm

AXLE



P

■ DrillLine

DRILLMEISTER

Drilling

Head-exchangeable drill reduces machine downtime. Available with chamfering adaptor.

4



■ MillLine

TUNGSLLOT

Slotting

6-cornered tangential insert with sharp cutting edge reduces burr, in slotting operation.

5



OMOTIVE

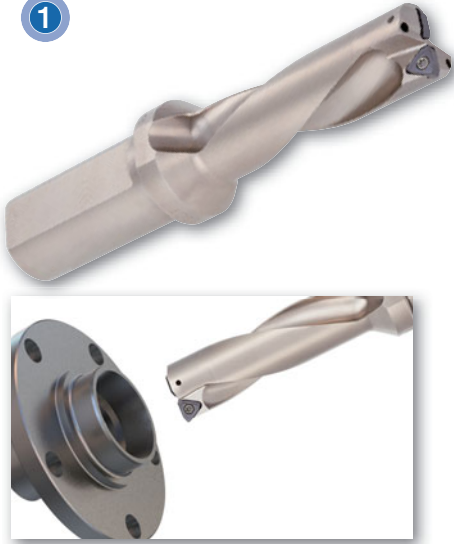
■ DrillLine

TUNG-SIX-DRILL
TUNGALOY

Drilling

Double-sided, 6-cornered insert with reinforced central insert for stable drilling.

1



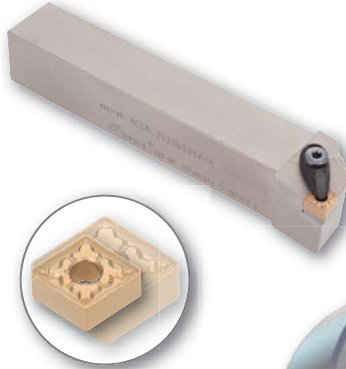
■ TurnLine

ECOTURN
TUNGALOY

Face & External Turning - Roughing

Small ECO insert in grade of T9100 series with PremiumTec.

2



■ TurnLine

DOMTURN
TUNGALOY

Boring

Double-sided insert with positive cutting edges provides economic advantages in boring.

3



Wheel Hub

AXLE

P



■ DrillLine

DRILLMEISTER
TUNGALOY

Drilling

Head-exchangeable drill reduces machine downtime.

4



Member IMC Group
Tungaloy

www.tungaloy.com

■ MillLine
DOFEED
TUNGALOY

Rough Milling - Facing, Pocketing

High-feed milling provides incredibly high metal removal rates in prehardened steel and difficult-to-cut material.



■ MillLine
ROUNDSPPLIT
TUNGALOY

Rough Milling - Facing, Pocketing

Round insert with serrated cutting edge breaks chips. This provides low cutting force and reduces chattering in long-overhang machining.



■ MillLine
TUNGFBALL
TUNGALOY

Profile Milling - Finishing

Optimized insert geometry achieves highly precise finishing of dies and molds.



Machining of Die & Mold

DIE & MOLD

■ DrillLine
GUNDRILL
TUNGALOY

Deep Hole Drilling

Brazed carbide gundrill for deep hole operations.



■ DrillLine
TUNGDRILLTRI
TUNGALOY

Deep Hole Drilling

Indexable gundrill with 3-cornered insert, with chip-splitter. This combination increases productivity by 3 times compared to brazed gundrill.



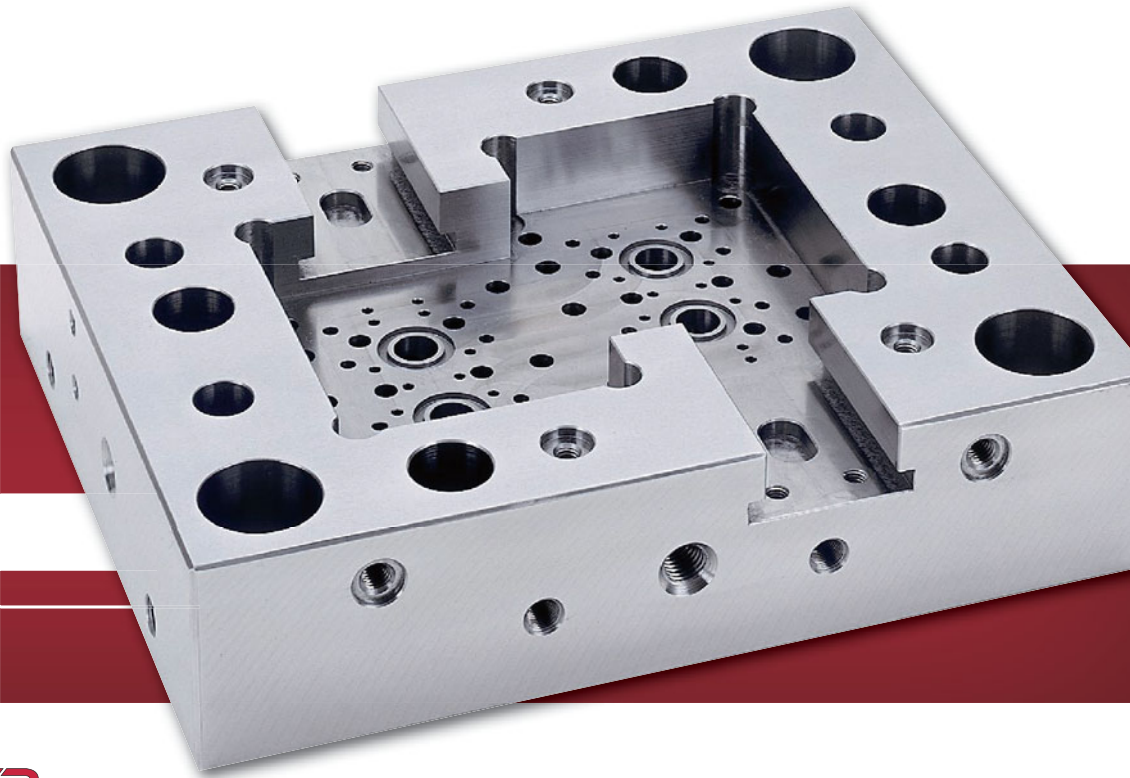
OMMOTIVE

MillLine

TUNG-FLEX
TUNGALOY

Milling

A wide variety of modular heads are available for various milling operations, such as high-feed milling, face milling, shoulder milling, and pocket milling.



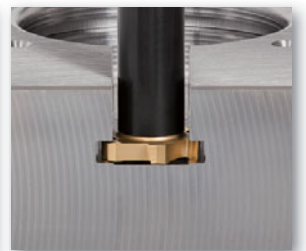
P H

MillLine

TUNGMEISTER
TUNGALOY

Endmilling

Head-changeable solid carbide endmill. A wide variety of cutting heads are available for complete milling solution.



Member IMC Group
Tungaloy

www.tungaloy.com

■ DrillLine

DRILLMEISTER
TUNGALOY

Drilling

Head-exchangeable drill reduces machine downtime. Available with chamfering adaptor.

1



■ MillLine

TUNGMEISTER
TUNGALOY

Shoulder Milling

Head changeable solid carbide endmill reduces set-up time.

2



■ DrillLine

GUNDRILL
TUNGALOY

Solid Gundrill

ø0.9 - ø3.0 small diameter solid carbide gundrill for precise drilling of common rail hole drilling.

3



3

1

2



Common Rail & ABS

SMALL PARTS

P



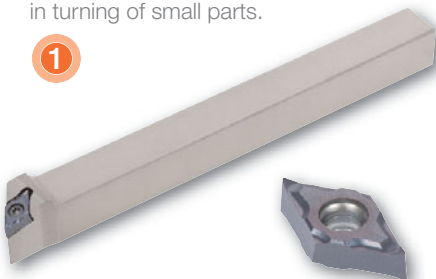
■ TurnLine

DOMTURN
TUNGALOY

External Turning

Double-sided insert with positive cutting edges offers twice the number of corners compared to competitors, which provides economical advantages in turning of small parts.

1



■ TurnLine

TETRACUT
TUNGALOY

Grooving

Uniquely designed 4-cornered insert with sharp cutting edges, suitable for grooving slender parts.

2



■ TurnLine

TINYMTURN
SOLID LINE

Internal Turning

Solid carbide bars suitable for various internal turning operations of miniature parts.

3



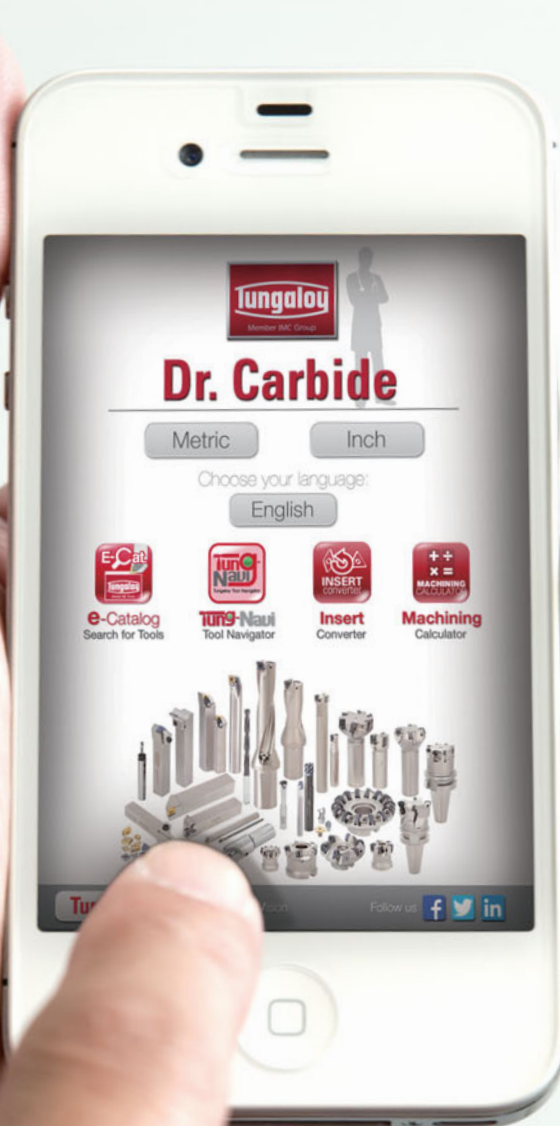
Dr. Carbide



the cure for your machining needs

Right in your hands!

New Application Package



Available on the
App Store



GET IT ON
Google play

Download it Now!



www.tungaloy.com

Tungaloy Corporation (Head office)

11-1 Yoshima-Kogyodanchi
Iwaki-city, Fukushima, 970-1144 Japan
Phone: +81-246-36-8501
Fax: +81-246-36-8542
www.tungaloy.co.jp

Tungaloy America, Inc.

3726 N Ventura Drive
Arlington Heights, IL 60004, U.S.A.
Phone: +1-888-554-8394
Fax: +1-888-554-8392
www.tungaloyamerica.com

Tungaloy Canada

432 Elgin St. Unit 3
Brantford, Ontario N3S 7P7, Canada
Phone: +1-519-758-5779
Fax: +1-519-758-5791
www.tungaloy.co.jp/ca

Tungaloy de Mexico S.A.

C Los Arellano 113,
Parque Industrial Siglo XXI
Aguascalientes, AGS, Mexico 20290
Phone: +52-449-929-5410
Fax: +52-449-929-5411
www.tungaloy.co.jp/mx

Tungaloy do Brasil Ltda.

Rua dos Sabias N.104
13280-000 Vinhedo, São Paulo, Brazil
Phone: +55-19-38262757
Fax: +55-19-38262757
www.tungaloy.com/br

Tungaloy Germany GmbH

An der Alten Ziegelei 1
D-40789 Monheim, Germany
Phone: +49-2173-90420-0
Fax: +49-2173-90420-19
www.tungaloy.de

Tungaloy France S.A.S.

ZA Courtaboef - Le Rio
1 rue de la Terre de feu
F-91952 Courtaboef Cedex, France
Phone: +33-1-6486-4300
Fax: +33-1-6907-7817
www.tungaloy.fr

Tungaloy Italia S.r.l.

Via E. Andolfato 10
I-20126 Milano, Italy
Phone: +39-02-252012-1
Fax: +39-02-252012-65
www.tungaloy.it

Tungaloy Czech s.r.o.

Turanka 115
CZ-627 00 Brno, Czech Republic
Phone: +420-532 123 391
Fax: +420-532 123 392
www.tungaloy.cz

Tungaloy Ibérica S.L.

C/Miquel Servet, 43B, Nau 7
Pol. Ind. Bufalvent
ES-08243 Manresa (BCN), Spain
Phone: +34 93 113 1360
Fax: +34 93 876 2798
www.tungaloy.es

Tungaloy Scandinavia AB

S:t Lars Väg 42A
SE-22270 Lund, Sweden
Phone: +46-462119200
Fax: +46-462119207
www.tungaloy.se

Tungaloy Rus, LLC

36-D Harkovsky Lane
308009 Belgorod, Russia
Phone: +7 4722 24 00 07
Fax: +7 4722 24 00 08
www.tungaloy.co.jp/ru

Tungaloy Polska Sp. z o.o.

ul. Genewska 24
03-963 Warszawa, Poland
Phone: +48-22-617-0890
Fax: +48-22-617-0890
www.tungaloy.co.jp/pl

Tungaloy U.K. Ltd

The Technology Centre,
Wolverhampton Science Park
Glaisher Drive, Wolverhampton
West Midlands WV10 9RU, UK
Phone: +44 121 4000 231
Fax: +44 121 270 9694
www.tungaloy.co.jp/uk
salesinfo@tungaloyuk.co.uk

Tungaloy Hungary Kft

Erzsébet királyné útja 125
H-1142 Budapest, Hungary
Phone: +36 1 781-6846
Fax: +36 1 781-6866
www.tungaloy.co.jp/hu
info@tungaloytools.hu

Tungaloy Turkey

Dudullu, OSB 4. Cad No:4
34776 Ümraniye Istanbul, TURKEY
Phone: +90 216 540 04 67
Fax: +90 216 540 04 87
www.tungaloy.com.tr
info@tungaloy.com.tr

Tungaloy Benelux b.v.

Tjalk 70
NL-2411 NZ Bodegraven, Netherlands
Phone: +31 172 630 420
Fax: +31 172 630 429
www.tungaloy-benelux.com

Tungaloy Croatia

Josipa Kozarca 4
10432 Bregana, Croatia
Phone: +385 1 3326 604
Fax: +385 1 3327 683
www.tungaloy.hr

Tungaloy Cutting Tool (Shanghai) Co., Ltd.

Rm No 401 No.88 Zhabei
Jiangchang No.3 Rd
Shanghai 200436, China
Phone: +86-21-3632-1880
Fax: +86-21-3621-1918
www.tungaloy.co.jp/tcts

Tungaloy Cutting Tool (Thailand) Co., Ltd.

TCIF Tower 4th Fl.
1858/5-7 Bangna-Trad Road
km.5 Bangna, Bangna, Bangkok 10260
Thailand
Phone: +66-2-751-5711
Fax: +66-2-751-5715
www.tungaloy.co.th

Tungaloy Singapore (Pte.), Ltd.

62 Ubi Road 1, #06-11 Oxley BizHub 2
Singapore 408734
Phone: +65-6391-1833
Fax: +65-6299-4557
www.tungaloy.co.jp/tspl

Tungaloy Vietnam

Unit 18, 4th Fl. Saigon Centre Building
65 Le Loi Blvd.
Dist 1, Ho Chi Minh City, Vietnam
Phone: +84-8-3827-0201
Fax: +84-8-3827-0203
www.tungaloy.co.jp/tspl

Tungaloy India Pvt. Ltd.

Unit#13, B wing, 8th Fl.
Kamala Mills Compound
Trade World, Lower Parel (West)
Mumbai - 4000 13, India
Phone: +91-22-6124-8804
Fax: +91-22-6124-8899
www.tungaloy.co.jp/in

Tungaloy Korea Co., Ltd

#1312, Byucksan Digital Valley 5-cha
Beotkkot-ro 244, Geumcheon-gu
153-788 Seoul, Korea
Phone: +82-2-2621-6161
Fax: +82-2-6393-8952
www.tungaloy.co.jp/kr

Tungaloy Malaysia Sdn Bhd

50 K-2, Kelana Mall, Jalan SS6/14
Kelana Jaya, 47301
Petaling Jaya, Selangor Darul Ehsan
Malaysia
Phone: +603-7805-3222
Fax: +603-7804-8563
www.tungaloy.co.jp/my

Tungaloy Australia Pty Ltd

PO Box 2232, Rowville,
Victoria 3178, Australia
Phone: +61-3-9755-8147
Fax: +61-3-9755-6070
www.tungaloy.com.au

PT. Tungaloy Indonesia

Kompleks Grand Wisata Block AA-10 No.3-5
Cibitung
Bekasi 17510, Indonesia
Phone: +62-21-8261-5808
Fax: +62-21-8261-5809
www.tungaloy.co.jp/id



www.tungaloy.com

follow us at:
facebook.com/tungaloyjapan
twitter.com/tungaloyjapan

To see our products in action visit:

Tung-TV

www.youtube.com/tungaloycorporation

DOWNLOAD
E-Catalog App



Apple Store



Google Play

Distributed by: