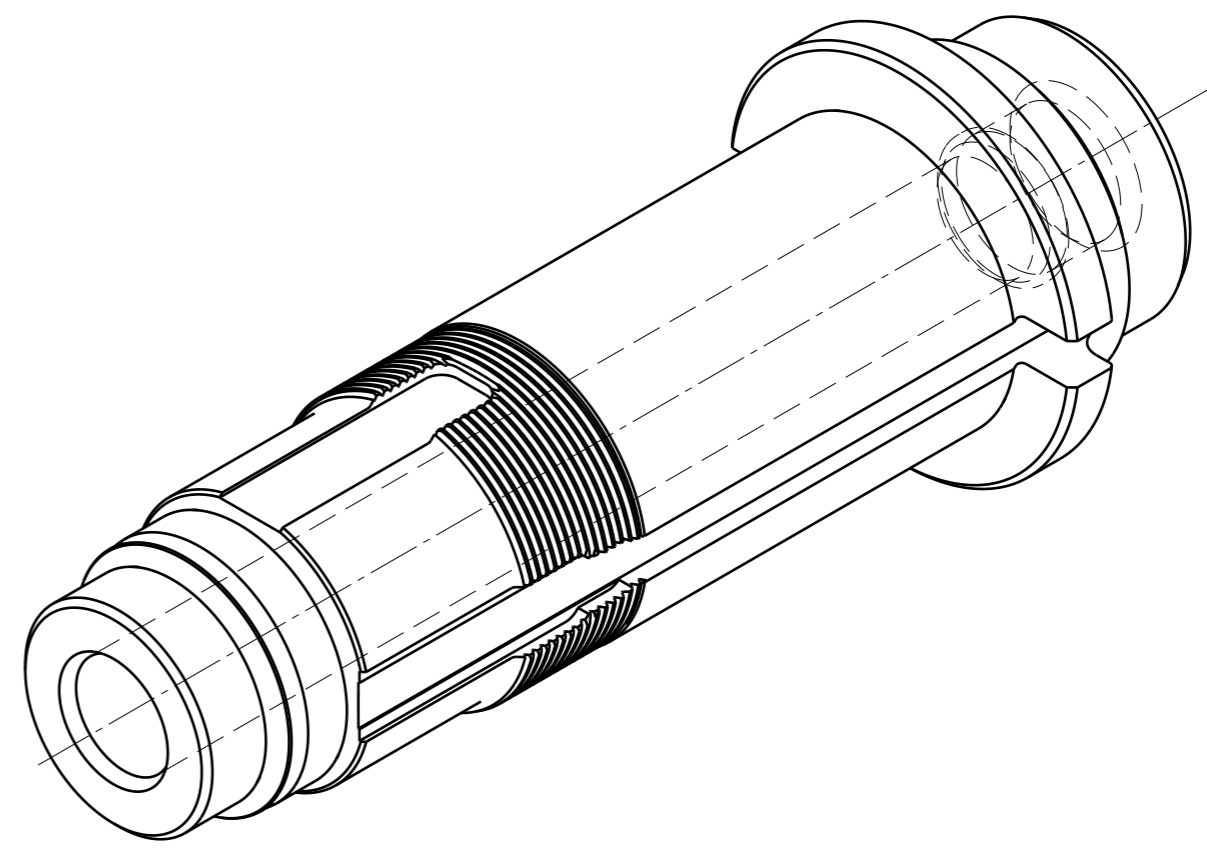
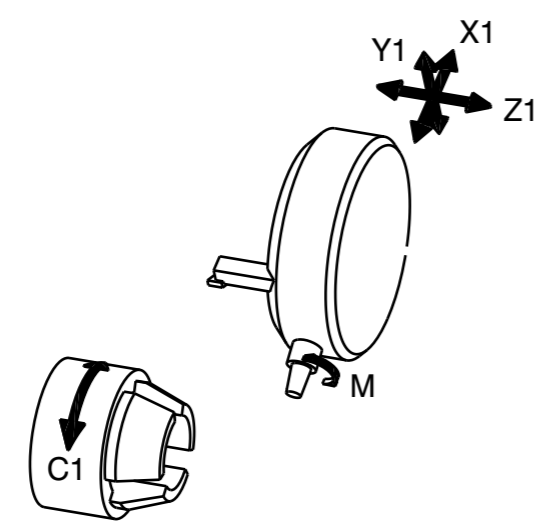


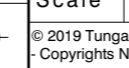


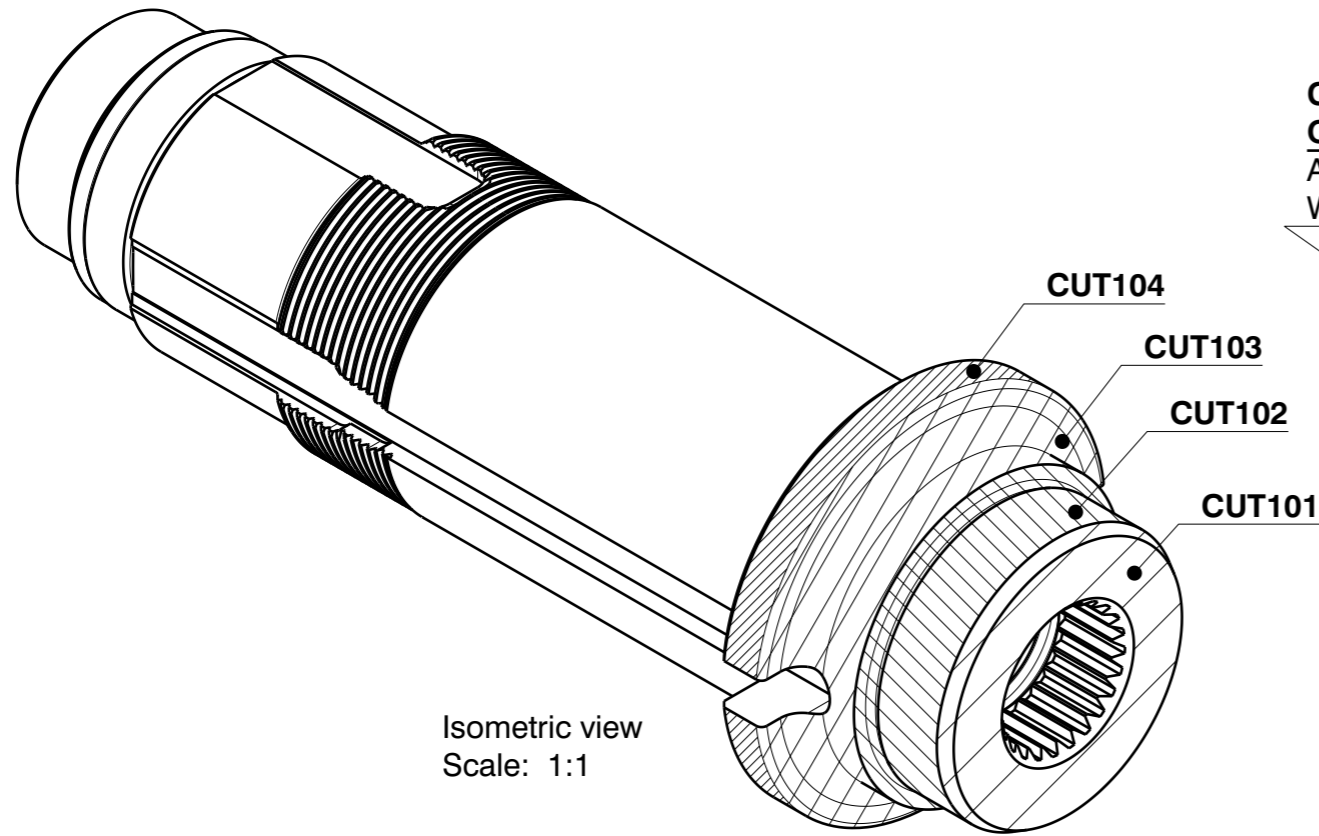
Machine : Horizontal Lathe
Turret : 25x25,(PSC40)



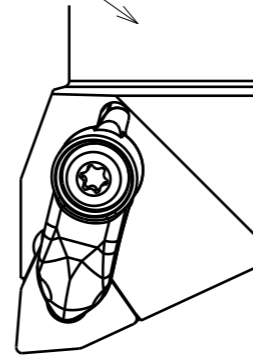
WORK : EV-MOTOR SHAFT

WORKPIECE MATERIAL - Chromium steel

Unspecified Tolerances	Draw	-. -	-. -	Customer: TUNGALOY	Japan	 Dwg.No. 32448515-HCL
Dim.s:	Design			Designation:		
-. -	Check			LAYOUT-EV-MOTOR SHAFT-62305		Rev. No. 1
Angles:	Appr.			Process	Layout.	Reg.No. 62305/1
-. -	Scale	-. -		Lead Drawing		
 	© 2019 Tungaloy Corporation - Copyrights Notice			FL-40031682		A3L

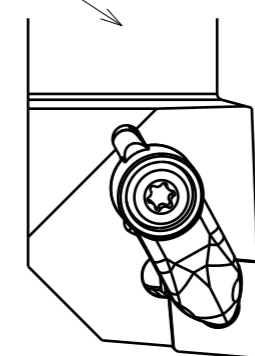


CUT 101/102/103/104
OD and Face Turning Rough
 AWLNL2525X-08-CHP-MC
 WNMG080412-TM T9215

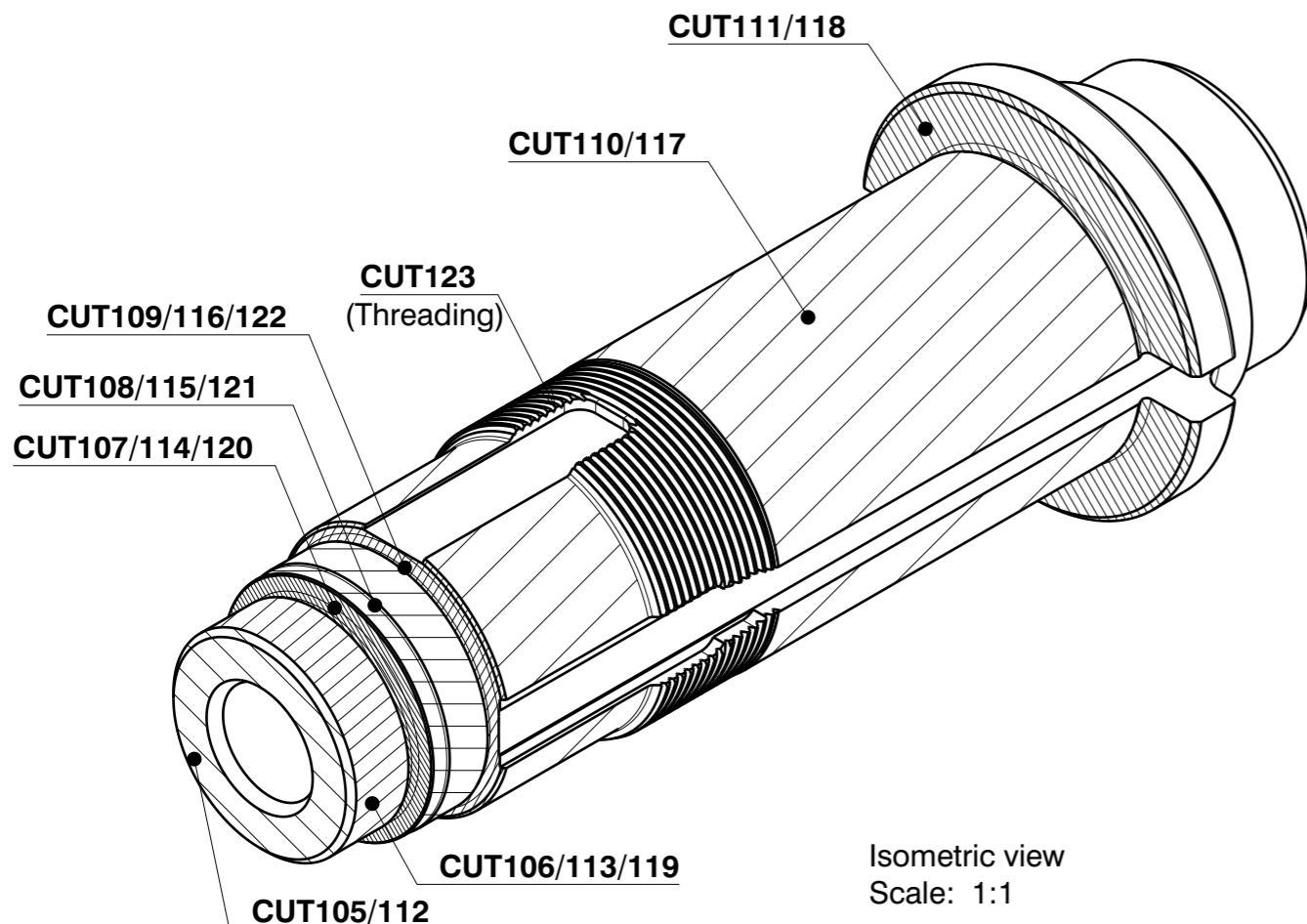


TungTurn-Jet
T9200

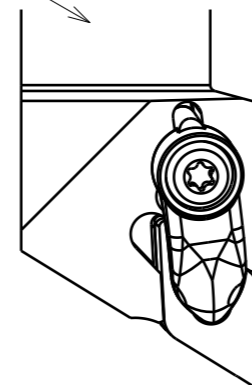
CUT 105/106/107/108/109/110/111
OD and Face Turning Rough
 ACLNR2525X-12-CHP-MC
 CNMG120412-TM T9215



TungTurn-Jet
T9200

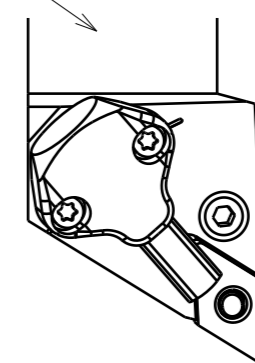


CUT 112/113/114/115/116/117/118
OD and Face Turning Finish
 ADJNR2525X-15-CHP-MC
 RDT443
 DNMG150408-NM T9215



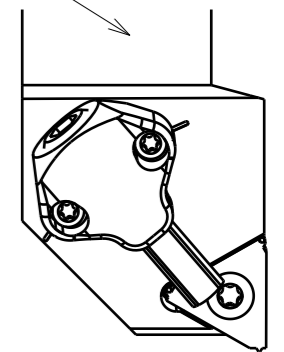
TungTurn-Jet
T9200

CUT 119/120/121/122
OD and Face Turning Finish
 PDJNR2525M1104-CHP
 DNMG110404E-TF T9215



ISO-EcoTurn
TungTurn-Jet
T9200

CUT 123
Threading Finish
 SER2525X16-CHP-MC
 16ER15ISO AH725

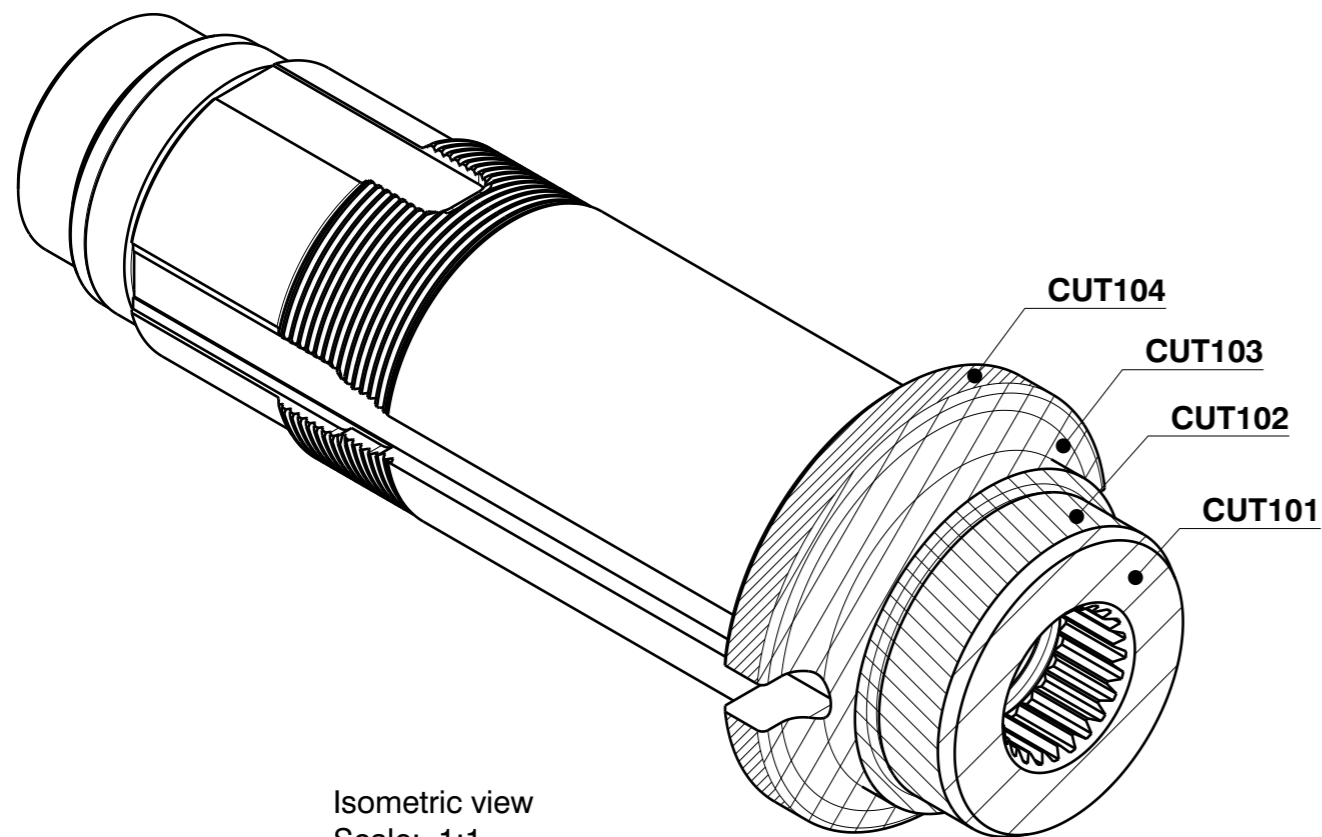


TUNGTHREAD
TungTurn-Jet

Lathe : Face and O.D. turning, Threading

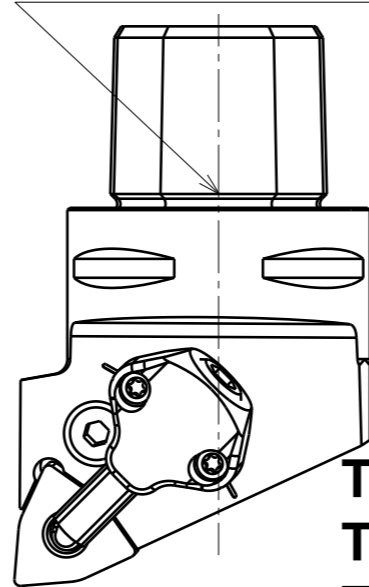
Unspecified Tolerances	Draw	--	--	Customer: TUNGALOY	Japan	
Dim.s:	Design			Designation:		
Angles:	Check			LAYOUT-EV-MOTOR SHAFT-62305		Page 1
	Appr.			Process	Layout.	Of 2
	Scale	--		Concept		Rev. No. 1
						Reg.No. 62305/1
						A3L





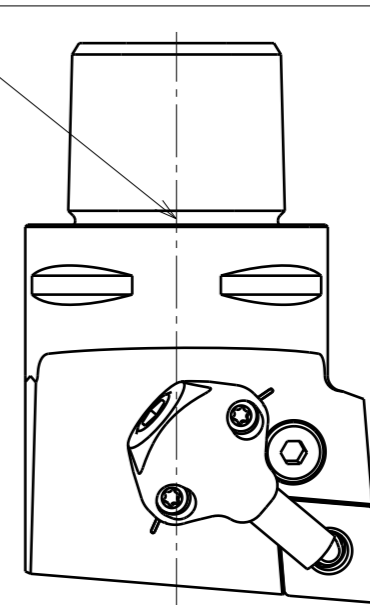
Isometric view
Scale: 1:1

CUT 101/102/103/104
OD and Face Turning Rough
C4PWLNL27050-08-CHP
WNMG080412-TM T9215



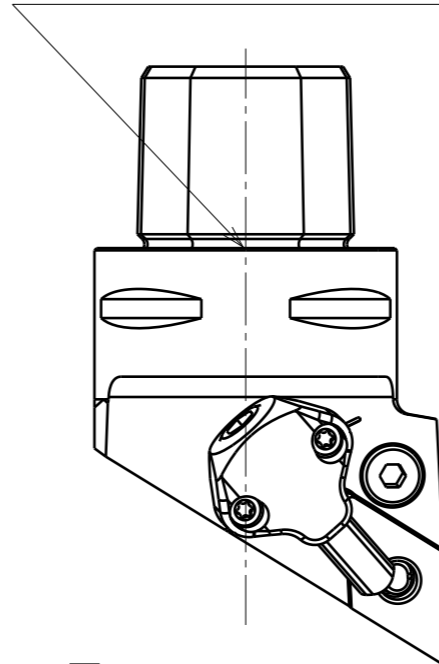
**Tungcap
TungTurn-Jet
T9200**

CUT 105/106/107/108/109/110/111
OD and Face Turning Rough
C4PCLNR27050-12-CHP
CNMG120412-TM T9215



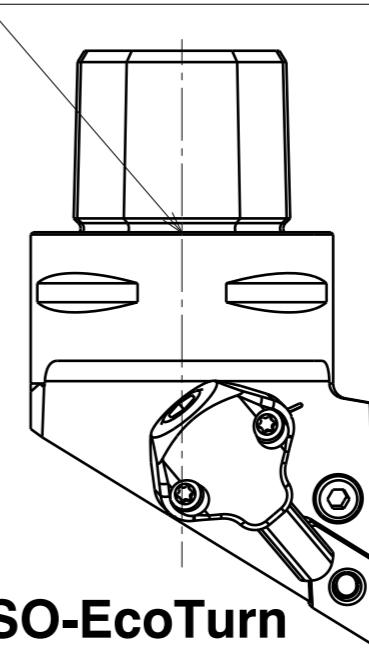
**Tungcap
TungTurn-Jet
T9200**

CUT 112/113/114/115/116/117/118
OD and Face Turning Finish
C4PDJNR27055-15-CHP
DNMG150408-NM T9215



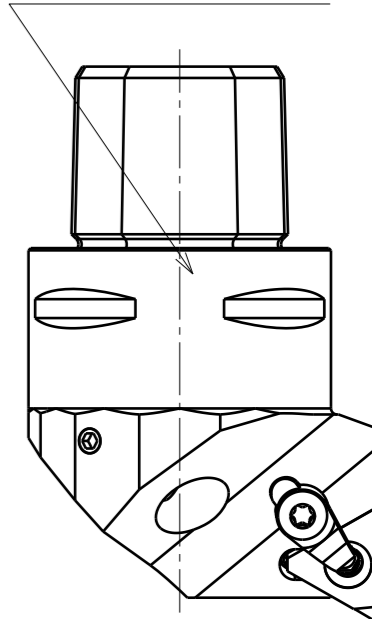
**Tungcap
TungTurn-Jet
T9200**

CUT 119/120/121/122
OD and Face Turning Finish
C4PDJNR27055-1104-CHP
DNMG110404E-TF T9215

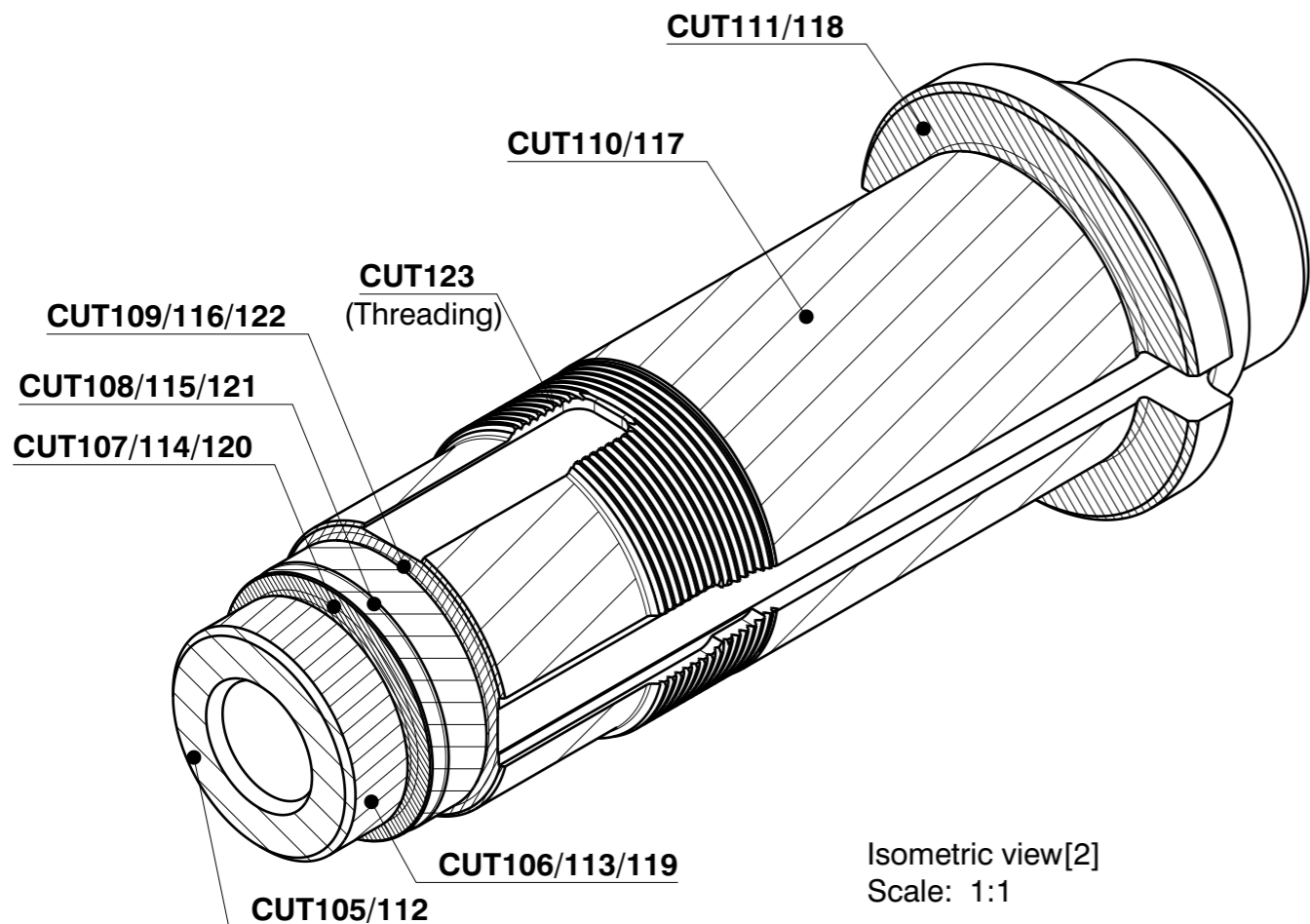


**ISO-EcoTurn
Tungcap
TungTurn-Jet
T9200**

CUT 123
Threading Finish
C4CER27050-16ERN
16ER15ISO AH725



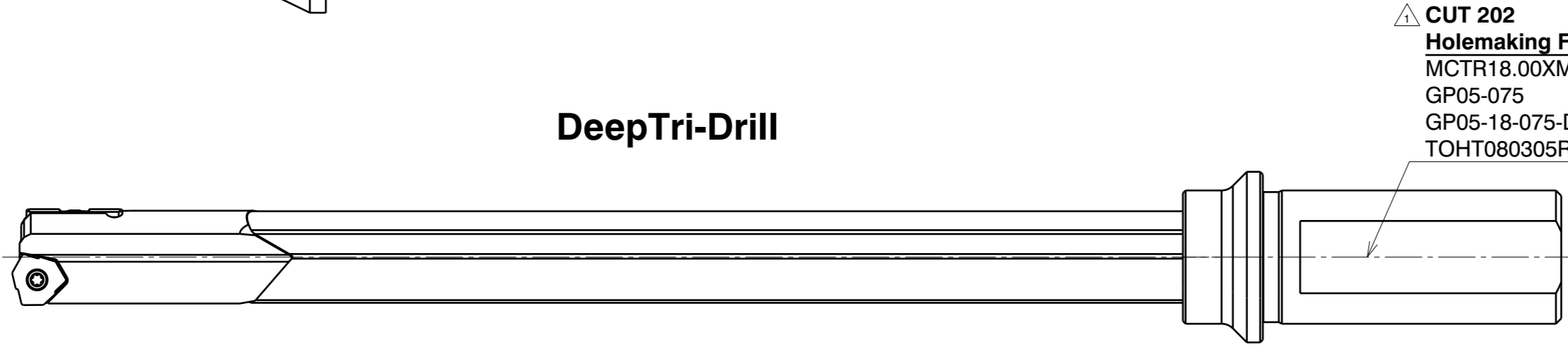
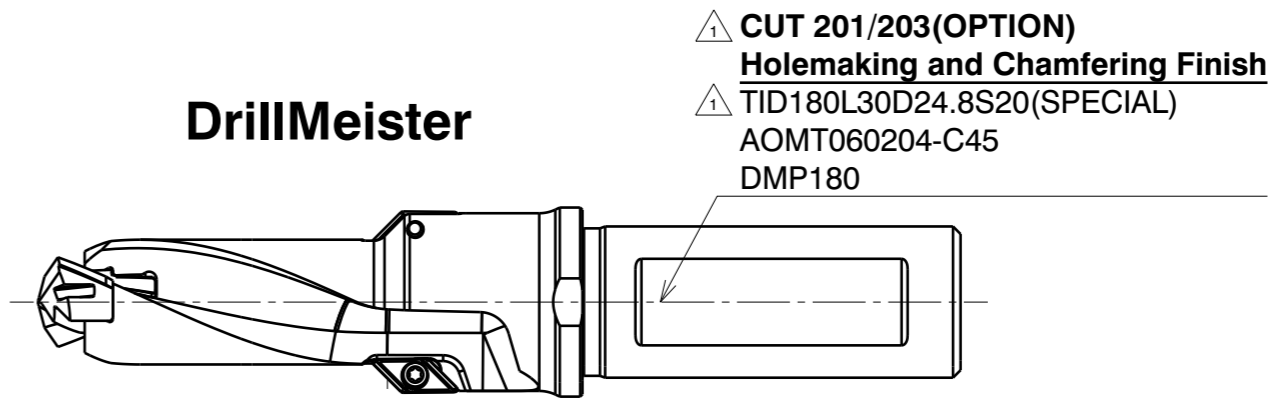
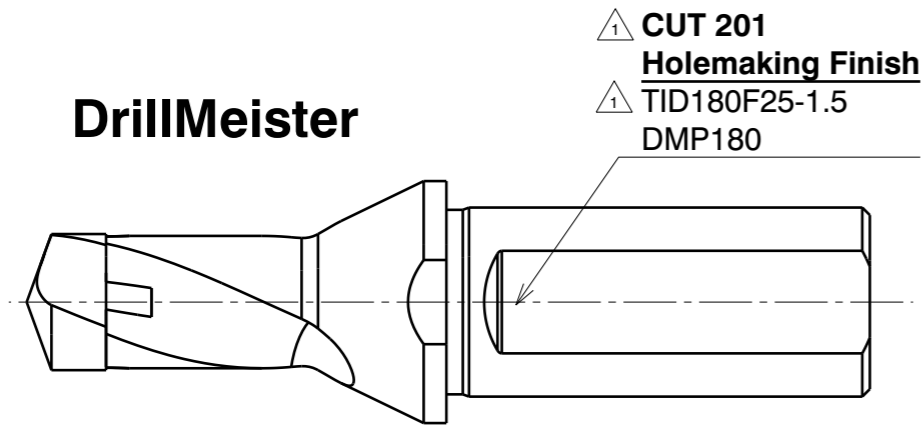
**Tungcap
TUNGTHREAD
TungTurn-Jet**



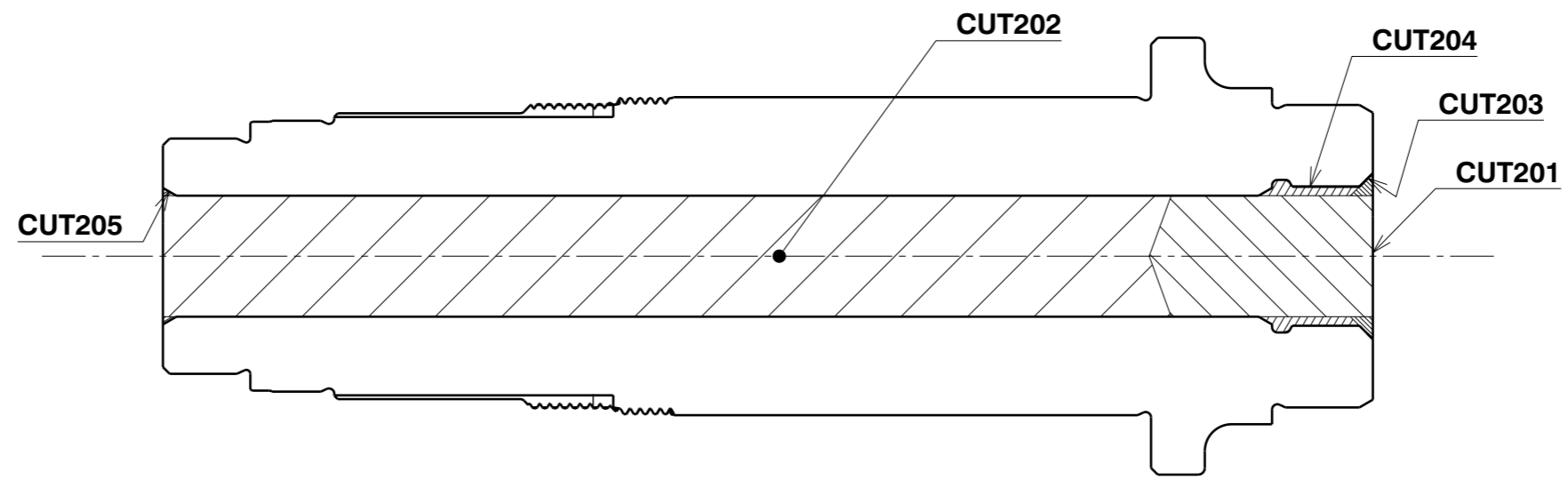
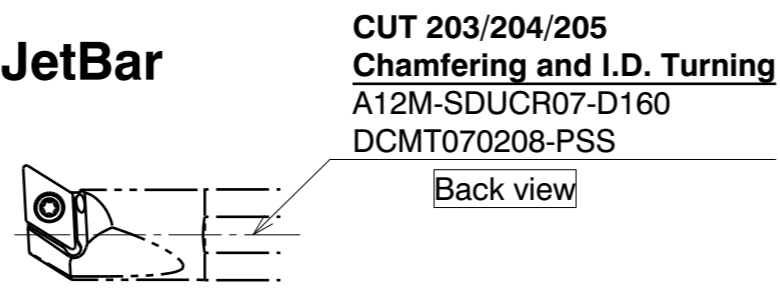
Isometric view[2]
Scale: 1:1

Lathe : Face and O.D. turning, Threading


Unspecified Tolerances	Draw	--	--	Customer: TUNGALOY	Japan	
Dim.s:	Design			Designation:	LAYOUT-EV-MOTOR SHAFT-62305	
Angles:	Check			Process	Concept	Page 2 Of 2
	Appr.				Layout.	Rev. No. 1
	Scale	--	--			Reg.No. 62305/1
					FL-40031682	A3L

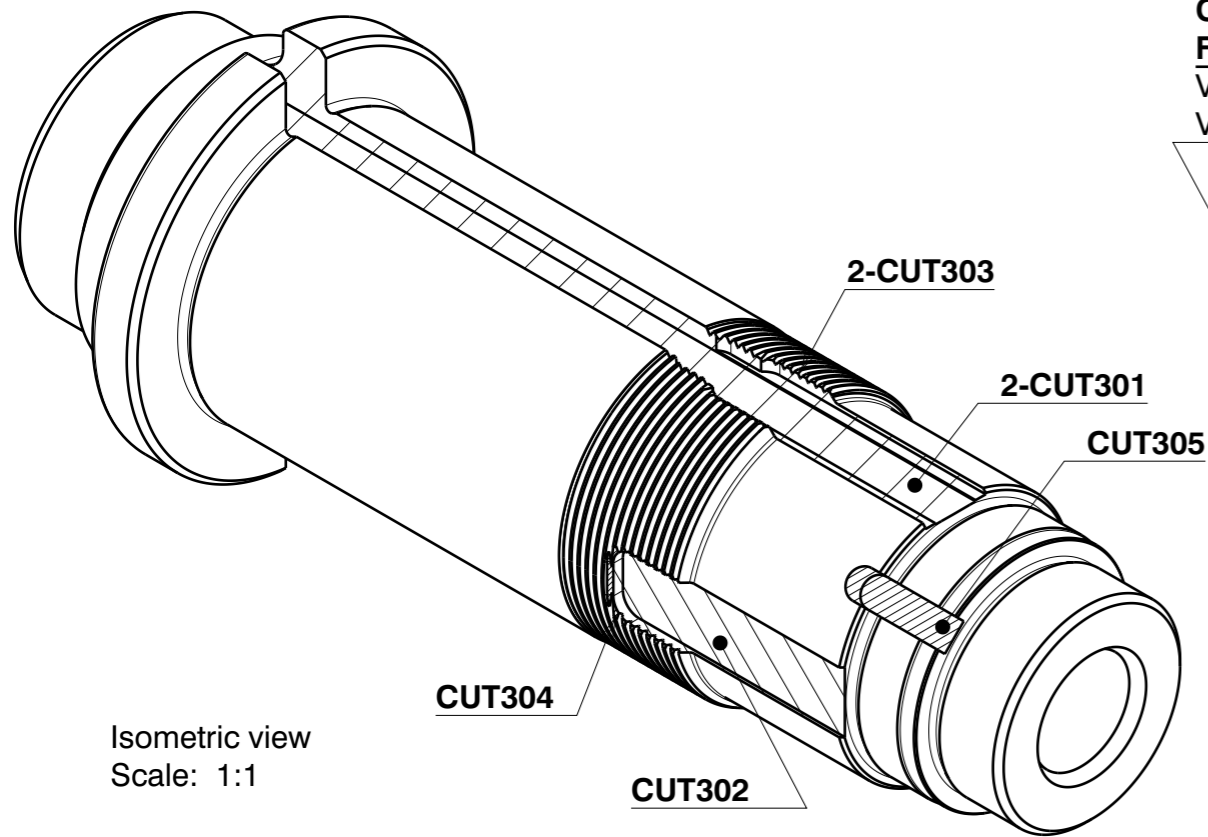


StreamJetBar



Lathe : Holemaking

Unspecified Tolerances	Draw	--	--	Customer: TUNGALOY	Japan	 Dwg.No. 32448515-HC1
Dim.s:	Design			Designation:		
--	Check			LAYOUT-EV-MOTOR SHAFT-62305		Page 1
Angles:	Appr.			Process	Layout.	Rev. No. 1
--	Scale	--		Concept		Of 1
				--		Reg.No.
				FL-40031682		62305/1
						A3L



TungMeister

CUT 301/302
Face Milling Finish
VSSD08L060S05-S
VEH080L12.0R05I04S05



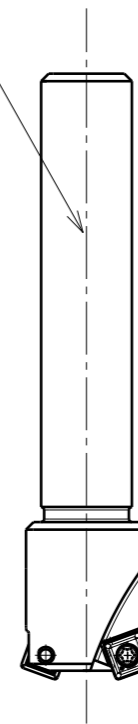
TungMeister

CUT 303/304
Chamfering Finish
VSSD10L075S06-S
VCP100L09.5A60-02S06



TungQuad

CUT 303/304
Chamfering Finish
KBM-17A80L80S12(SPECIAL)
SDMT050204PN-MJ



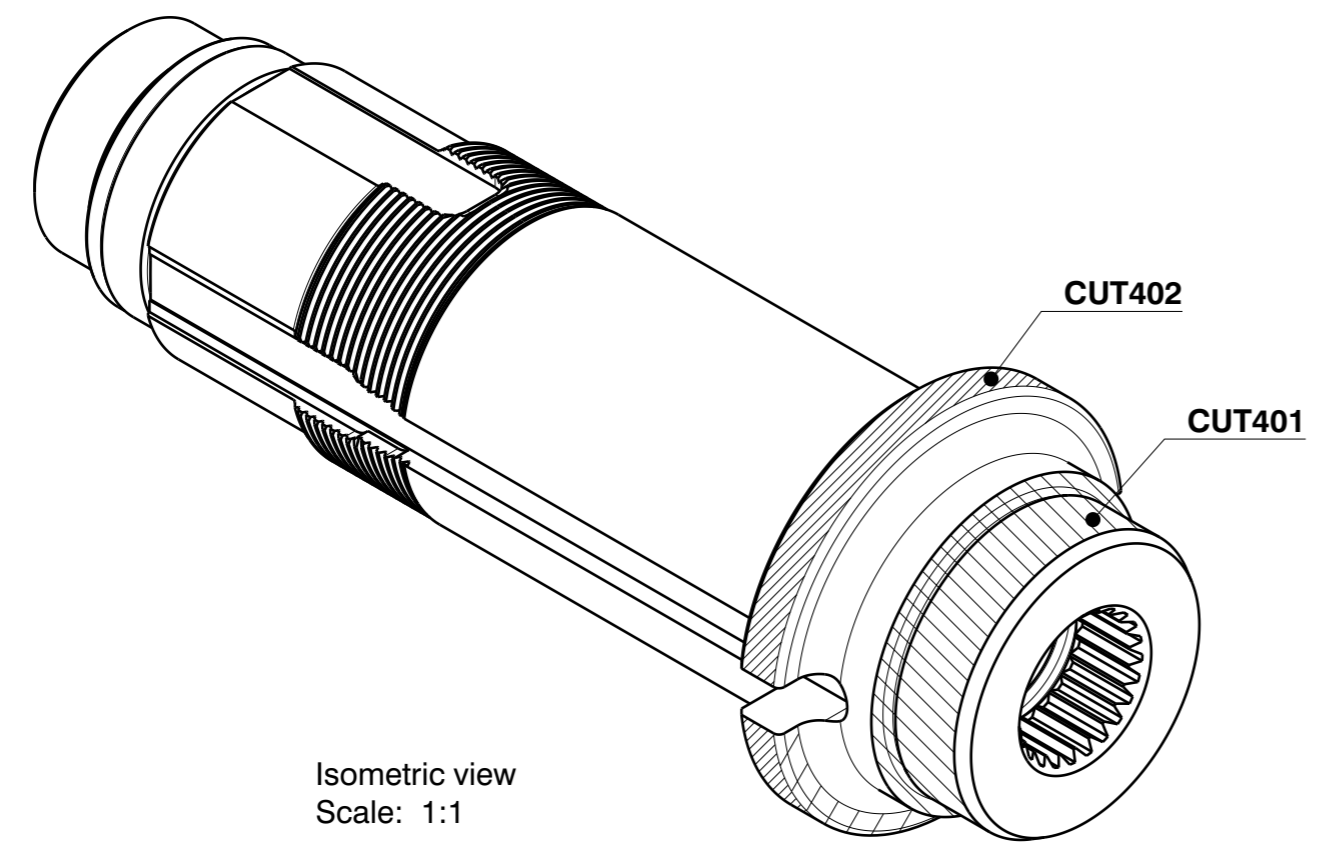
**SolidMeister
VariableMeister**

CUT 305
Face Milling Finish
TEC050E4L-12/17C06CF-57



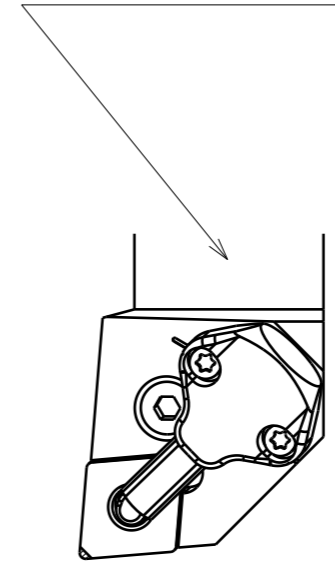
M/C : Face Milling and Chamfering

Unspecified Tolerances	Draw	--	--	Customer: TUNGALOY	Japan	
	Design			Designation:		
Dim.s:	Check			LAYOUT-EV-MOTOR SHAFT-62305		32448515-HC2
Angles:	Appr.			Process	Layout.	Page 1
	Scale	--		Concept		Of 1
	© 2019 Tungaloy Corporation - Copyrights Notice			--		Rev. No.
				FL-40031682		Reg. No.



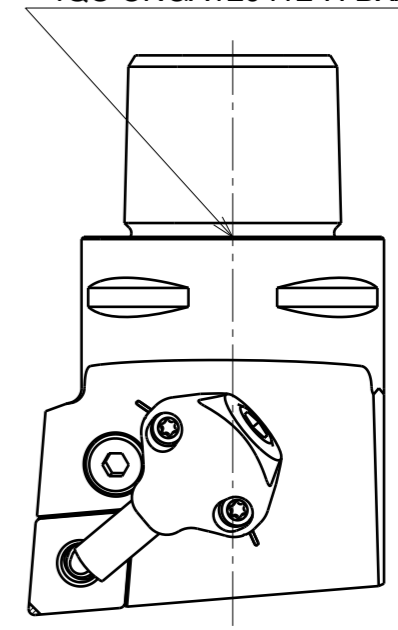
Isometric view
Scale: 1:1

CUT 401/402
OD and Face Turning Finish
 PCLNL2525M12-CHP
 4QS-CNGA120412-H BXA10



TungTurn-Jet
BXA10
WavyJoint

CUT 401/402
OD and Face Turning Finish
 C4PCLNL27050-12-CHP
 4QS-CNGA120412-H BXA10



Tungcap
TungTurn-Jet
BXA10
WavyJoint

Insert option : 2QP-GNGA120412 BXA10
2QP-CNGM120412-HP BXA10

Lathe : Face and O.D. Turning

Unspecified Tolerances	Draw	--	--	Customer: TUNGALOY	Japan	
	Design			Designation: LAYOUT-EV-MOTOR SHAFT-62305		
Dim.s:	Check			Process		Page 1
Angles:	Appr.			Concept		Of 1
	Scale	--	--	-		Rev. No.
				FL-40031682		Reg.No. 62305/1
						A3L