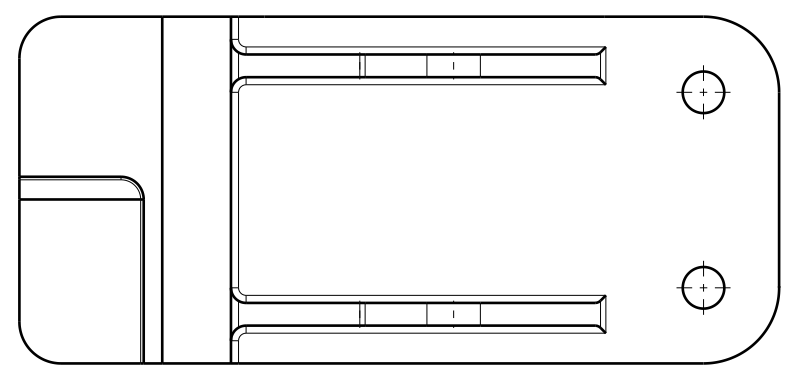
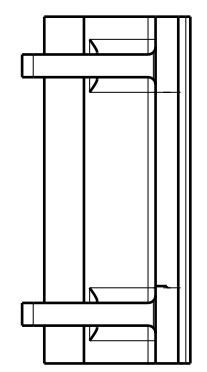


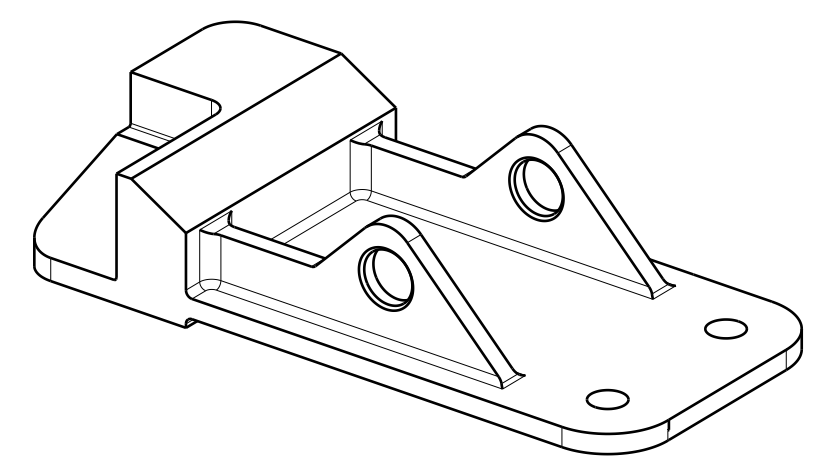
**MODEL IN SCALE 1:1**



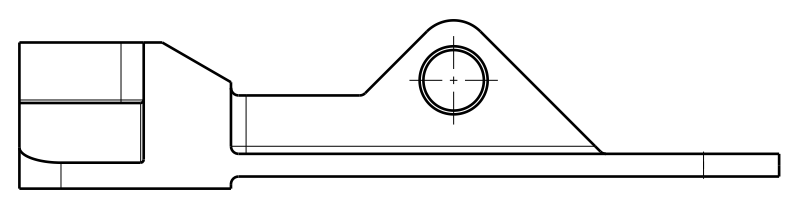
Front view  
Scale: 1:1



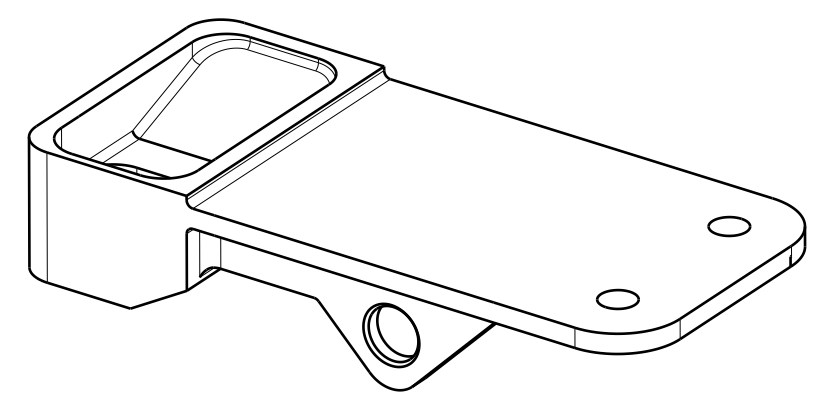
Right view  
Scale: 1:1



Isometric view  
Scale: 1:1

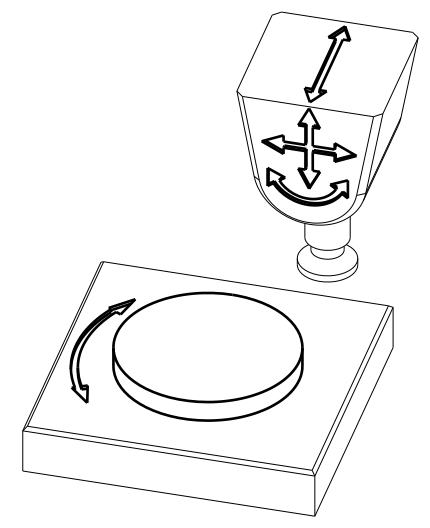


Bottom view  
Scale: 1:1



Isometric view  
Scale: 1:1

**MACHINE : 5-axis Machining Center**



**WORKPIECE MATERIAL - Stainless steel**

**HINGE**

**CONCEPT DRAWING ONLY**  
 Concept subject to changes after order placement consequent to engineering examinations for final design.  
 Please approve the concept  
 Name: \_\_\_\_\_  
 Signature: \_\_\_\_\_ Date: \_\_\_\_\_

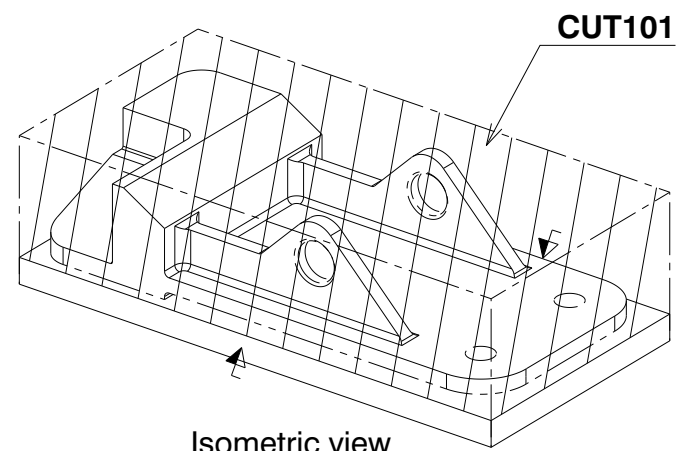
Unspecified Tolerances	Draw		Customer: TUNGALOY	Japan	
Dim.s: --	Design		Designation: LAYOUT-HINGE		
Angles: --	Check		Process	Layout.	Page 1 Rev. No. 0
	Appr.		Lead Drawing		Of 1
	Scale	--			Reg.No. 62314/1
					A3L

© 2019 Tungaloy Corporation - Copyrights Notice

MODEL IN SCALE 3:4 TOOLS IN SCALE 1:2

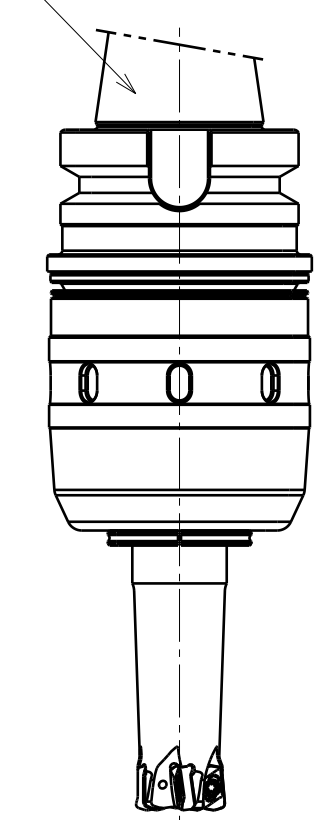
Rev.No.: 1 Alteration:Change tool

Date: 12/04/21 Name:sugana\_y



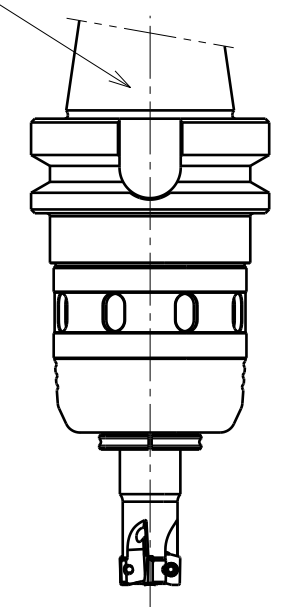
Isometric view  
Scale: 3:4

**CUT101**  
**High Feed Milling Rough**  
BT40MAXIN32X108  
SC32SEAL25  
EXN03R025M25.0-05  
LNMU0303ZER-MS



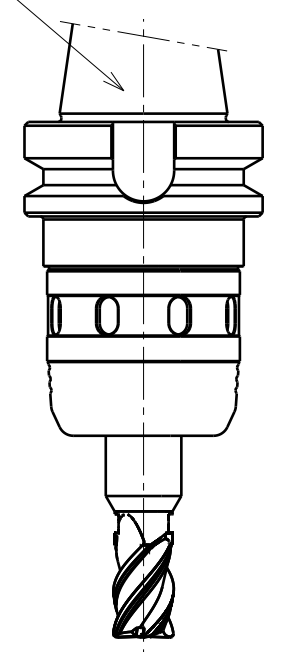
**DoFeed**

**CUT102**  
**Face & Shoulder Milling Finish**  
BT40MAXIN20X85  
SC20SEAL16  
EPO07R016M16.0-04  
AOMT070216PDPR-MJ



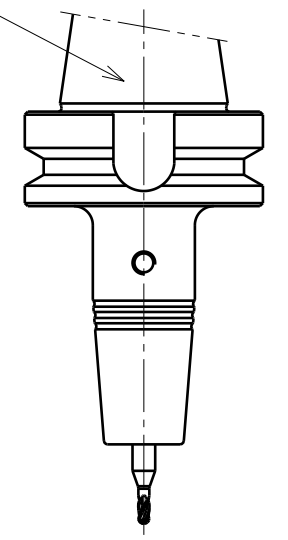
**TungRec**

**CUT102**  
**Face & Shoulder Milling Finish**  
BT40MAXIN20X85  
VSSD20L070S10-S  
VEH160L24.0R10I04S10

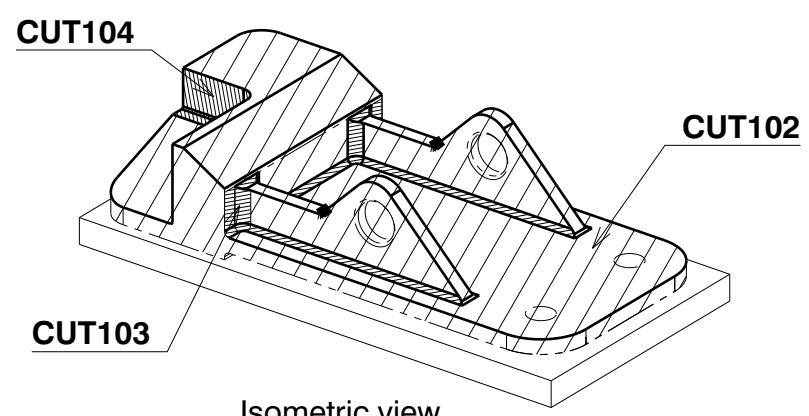


**TungMeister**

**CUT103**  
**Profile Milling Finish**  
BT40SRKIN6X90  
TEB030E4L-06/09C06CFH57

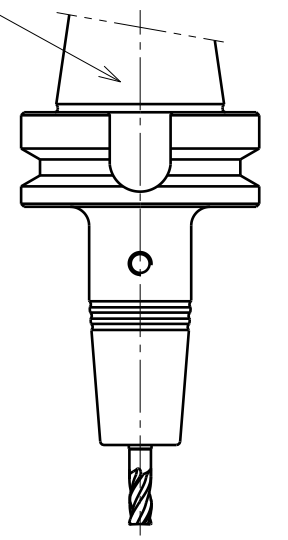


**SolidMeister  
VariableMeister**

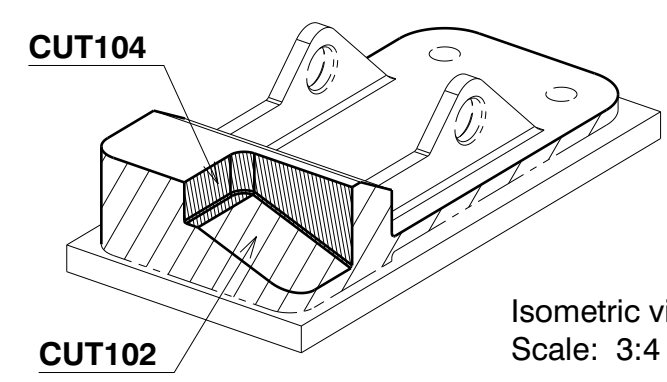


Isometric view  
Scale: 3:4

**CUT104**  
**Shoulder Milling Finish**  
BT40SRKIN6X90  
TEC060H4L-12/20C6CF-R02



**SolidMeister  
VariableMeister**

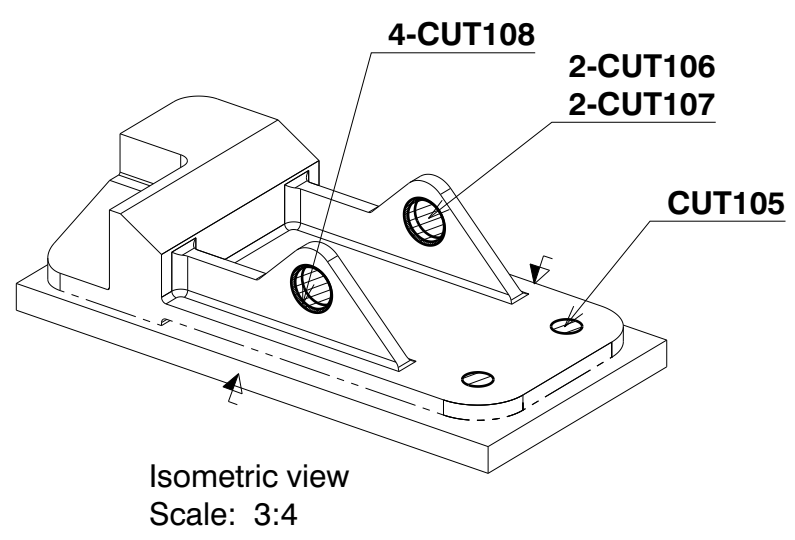


Isometric view  
Scale: 3:4

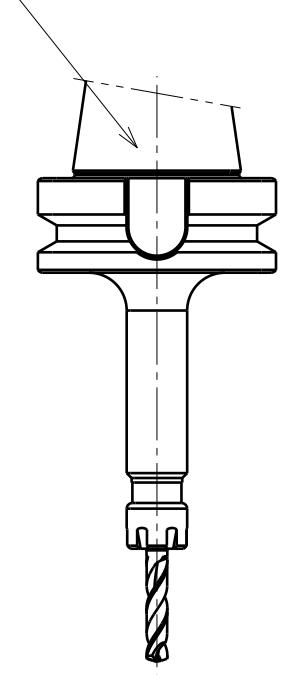
**M/C : High Feed,Face,Shoulder  
& Profile Milling**

Unspecified Tolerances	Draw		Customer: TUNGALOY	Japan	
	Design				
Dim.s: --	Check		LAYOUT-HINGE		Page 1 Of 1
	Appr.				
Angles: --	Scale	-	Concept		Rev. No.
© 2019 Tungaloy Corporation - Copyrights Notice			FL-40033033		A3L

MODEL IN SCALE 3:4 TOOLS IN SCALE 1:2

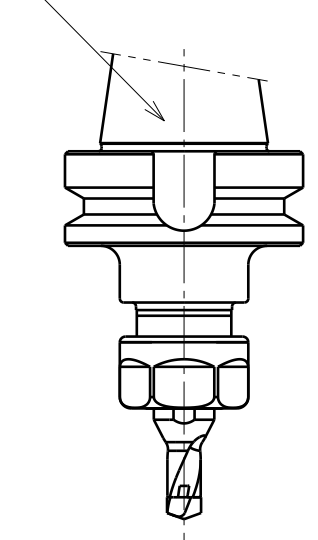


**CUT105**  
**Holemaking Finish**  
BT40ER11X100M  
ER11SPR5-6AA  
DSW055-020-06DE3



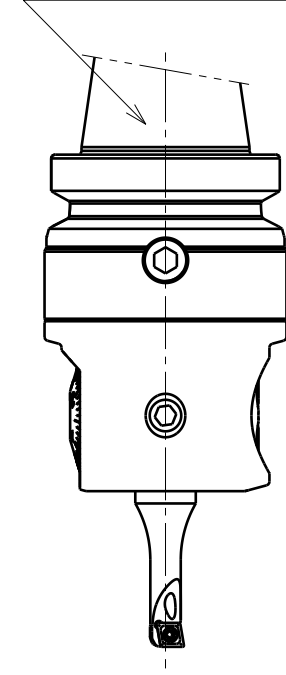
**SolidDrill**

**CUT106**  
**Holemaking Rough**  
BT40MAXIN20X85  
ER20SEAL12AA  
TID090F12-1.5  
DMP098



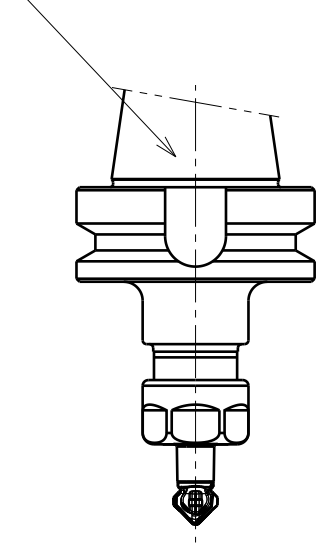
**DrillMeister**

**CUT107**  
**Boring Finish**  
134.540.064.046  
206.064.025.045  
254.010.006.075  
CCMT060204-PSF



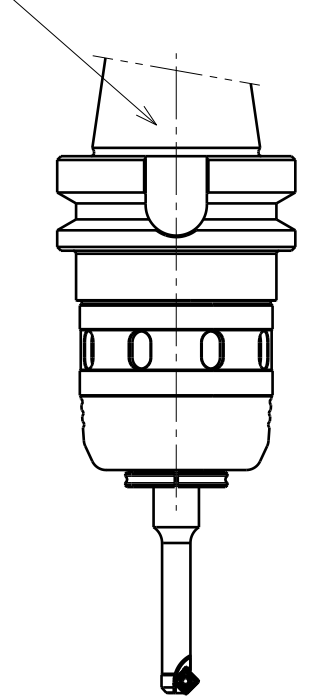
**SwissBore**

**CUT108**  
**Chamfering Finish**  
BT40ER16X70  
VER16CL010S06-S  
VCW118L05.0A45-02S06



**TungMeister**

**CUT108**  
**Chamfering Finish**  
BT40MAXIN20X85  
SC20SEAL12  
EASD05M006C12.0R01  
SDMT050204PN-MJ

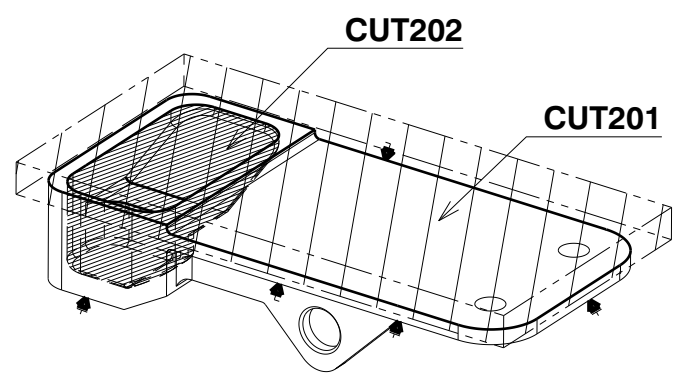


**TungQuad**

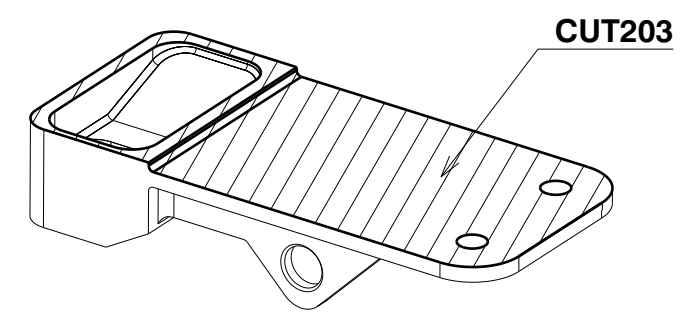
# M/C : Holemaking Chamfering

Unspecified Tolerances	Draw		Customer: TUNGALOY	Japan	
	Design		Designation: LAYOUT-HINGE		
Dim.s: -.-	Check		Process	Layout.	Page 1 Rev. No. 1
	Appr.				
Angles: -.-	Scale	-	-		Reg.No. 62314/1
	© 2019 Tungaloy Corporation - Copyrights Notice		FL-40033033		

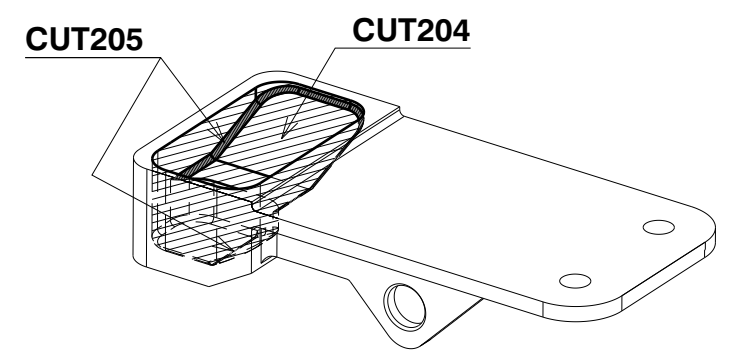
MODEL IN SCALE 3:4 TOOLS IN SCALE 1:2



Isometric view  
Scale: 3:4

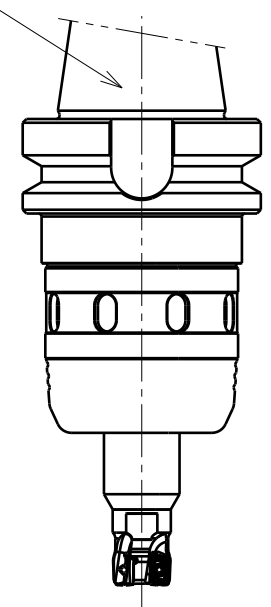


Isometric view  
Scale: 3:4



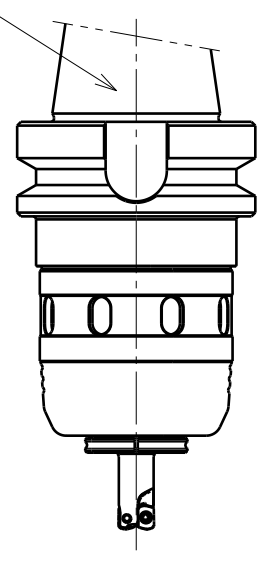
Isometric view  
Scale: 3:4

**CUT201/203**  
**Face Milling Rough & Finish**  
BT40MAXIN20X85  
VSSD20L070S10-S  
HPAV06M016S10R04  
AVGT060308PBER-MJ



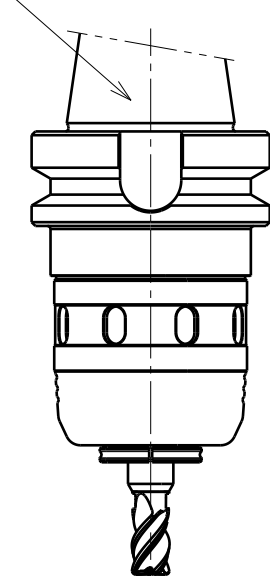
**TungForceRec**  
**TungMeister**

**CUT202**  
**High Feed Milling Rough**  
BT40MAXIN20X85  
SC20SEAL10  
EXLS02M010C10.0LH20R02  
LSMT0202ZER-HM



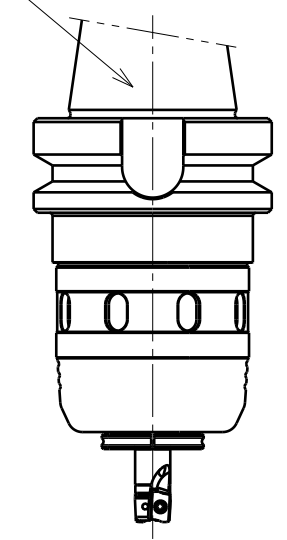
**TungForceFeed**

**CUT204**  
**Face & Shoulder Milling Finish**  
BT40MAXIN20X85  
SC20SEAL12  
VSSD12L065S06-S  
VEH100L15.0R10I04S06



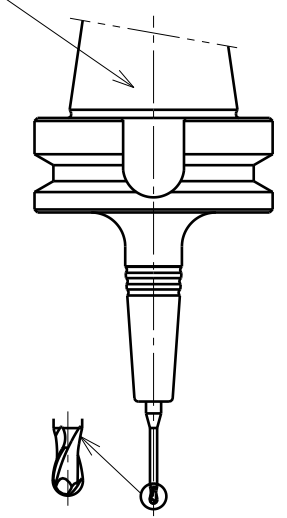
**TungMeister**

**CUT204**  
**Face & Shoulder Milling Finish**  
BT40MAXIN20X85  
SC20SEAL10  
EPAV06M010C10.0R02  
AVGT060308PBER-MJ



**TungForceRec**

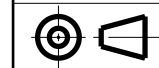
**CUT205**  
**Profile Milling Finish**  
BT40SRK4X50  
TEB020A2-030/20C4M55



**SolidMeister**

**M/C : Face, Shoulder, High Feed & Profile Milling**

Unspecified Tolerances	Draw		Customer: TUNGALOY	Japan	
Dim.s: --	Design		Designation:	LAYOUT-HINGE	
Angles: --	Check		Process	Layout.	Page 1 Rev. No. 0
	Appr.			Concept	Of 1
	Scale	-		--	Reg.No. 62314/1
				FL-40033033	A3L



© 2019 Tungaloy Corporation  
Copyrights Notice

