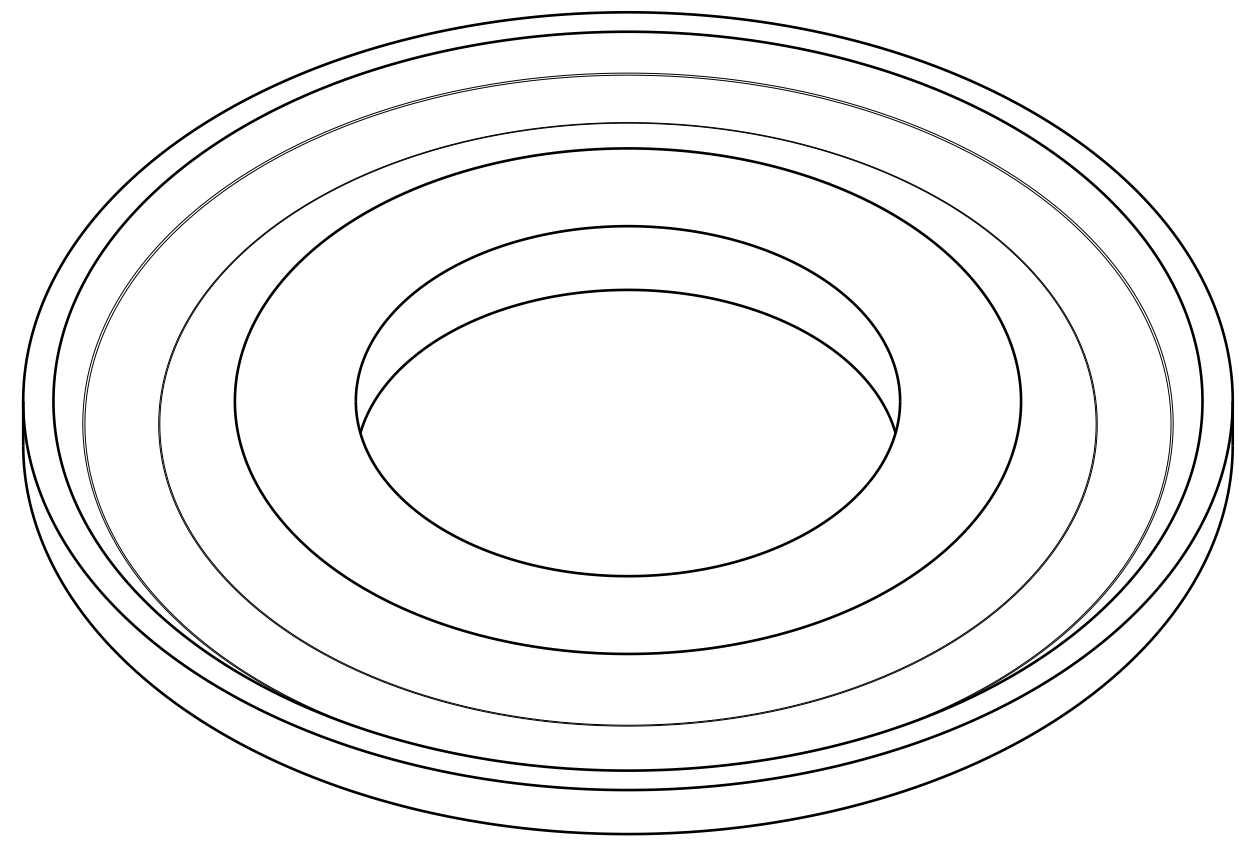
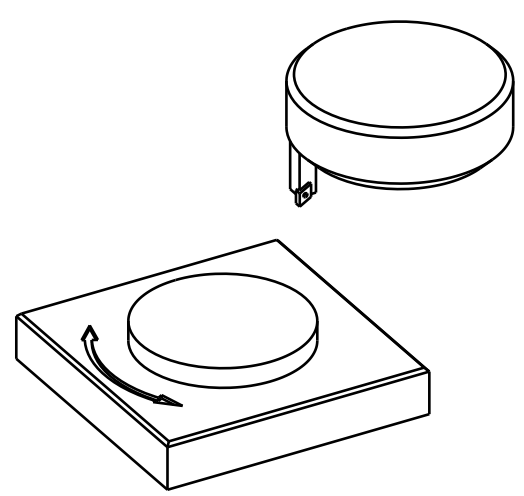


MODEL IN SCALE 1:5




MACHINE : Vertical lathe



WORK : DISK

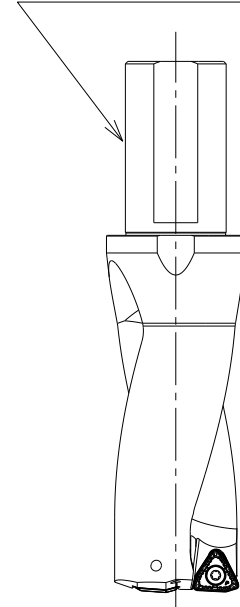
WORKPIECE MATERIAL - Titanium

Unspecified Tolerances	Draw		Customer: TUNGALOY	Japan	 Dwg.No. 32447513-HCL
	Design		Designation: LAYOUT-DISK		
Dim.s:	Check		Process		Of 1
	Appr.		Lead Drawing		Rev. No. 0
Angles:	Scale		-		Reg.No.
	© 2019 Tungaloy Corporation - Copyrights Notice		FL-40029723		61145/1
				A3L	

MODEL IN SCALE 1:3 TOOLS IN SCALE 1:3

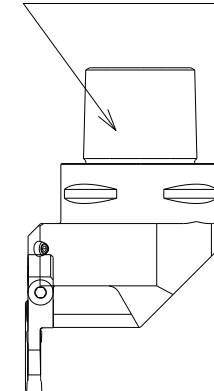
### TungSix-Drill

**CUT 101**  
**Hole making Rough**  
 TDS500F40-2  
 WWMU13X512R-DS AH6030



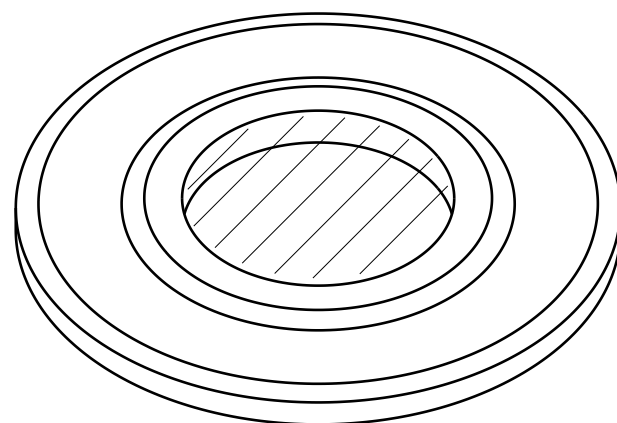
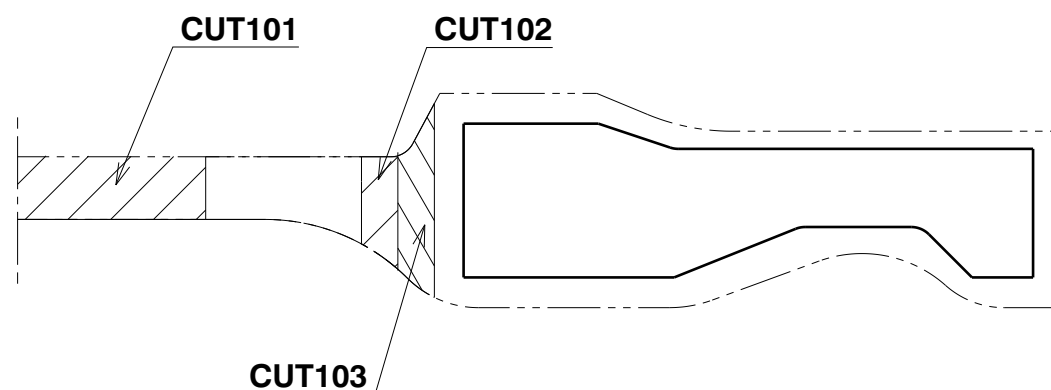
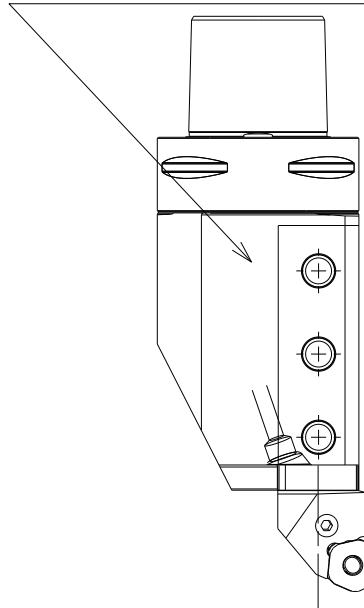
### TungCap Tungcut

**CUT 102**  
**Face grooving Rough**  
 C6CHSL45065N  
 CAFR-6T25-250400  
 SGS6-030 AH7025



### TungCap TurnTenFeed AH8000

**CUT 103**  
**I.D. Turning Rough**  
 C8ASHR32-1  
 PPXOR3232P13-HD  
 POMG130612-MNW AH8015



# I.D. Rough

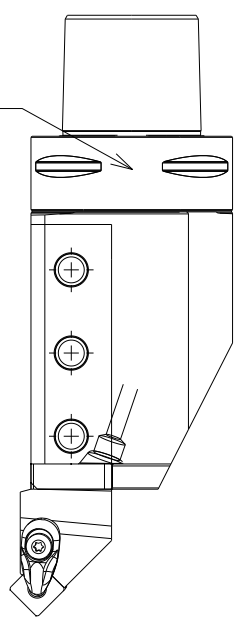
Unspecified Tolerances	Draw		Customer: TUNGALOY	Japan	
Dim.s:	Design		Designation: LAYOUT OP100-DISK		
Angles:	Check		Process	Layout.	Page 1 Rev. No. 1
	Appr.		Concept		Reg.No. 61145/1
	Scale		-		A3L
			FL-40029723		



MODEL IN SCALE 1:3 TOOLS IN SCALE 1:3

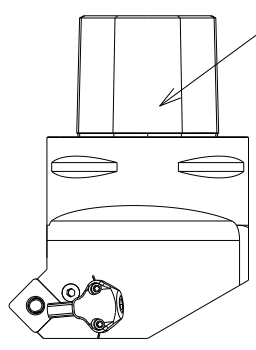
### TungCap

**CUT 201/203**  
**O.D. Turning Rough**  
 C8ASHL32-1  
 ASSNL3232P15-A  
 SNMG150612-HRM AH8015



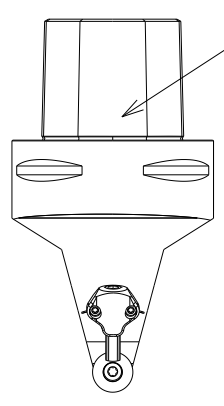
### TungCap TungTurn-Jet AH8000

**CUT 201/203**  
**O.D. Turning Rough**  
 C8PSSNL55080-15-CHP(Special)  
 SNMG150612-HRM AH8015



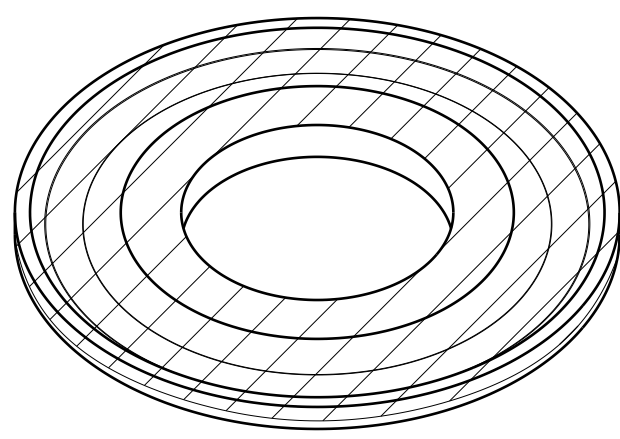
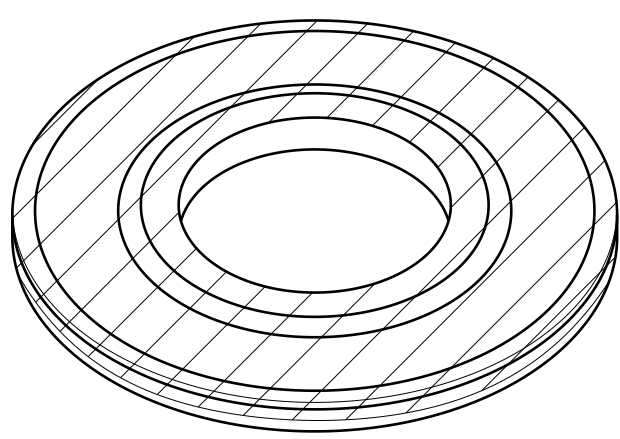
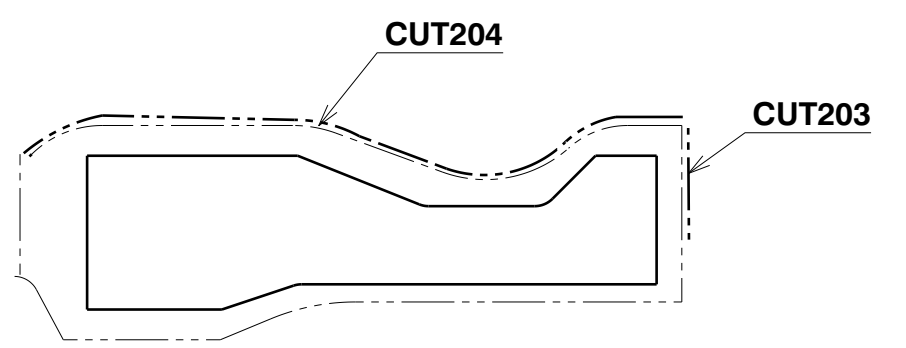
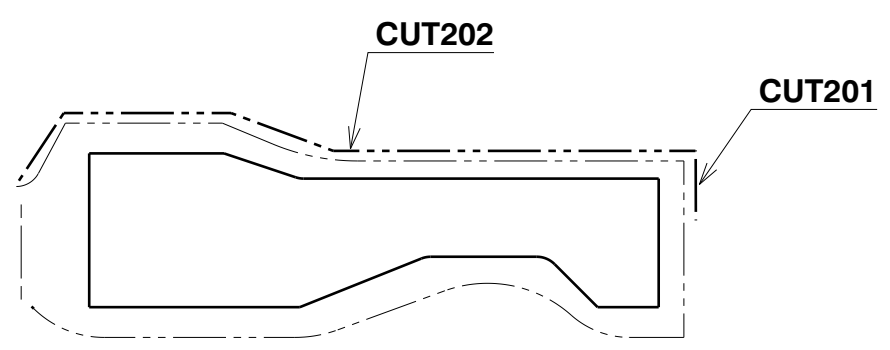
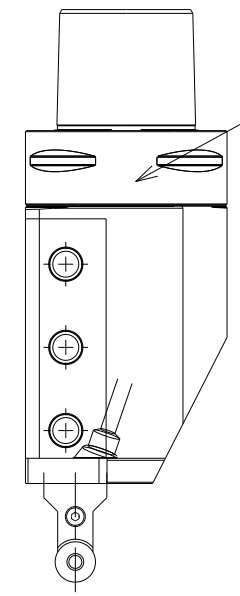
### TungCap TungTurn-Jet AH8000

**CUT 202/204**  
**O.D. Turning Rough**  
 C8SRDCN00100-16-CHP(Special)  
 RCMT1606M0-RS AH8015



### TungCap

**CUT202/204**  
**O.D. Turning Rough**  
 C8ASHL32-1  
 PRDCN3225P16  
 RCMT1606M0-RS AH8015



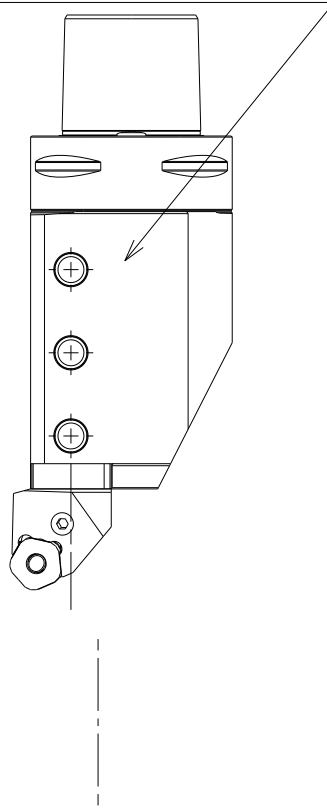
# Casting surface removal

Unspecified Tolerances	Draw		Customer: TUNGALOY	Japan	
	Design				
Dim.s:	Check		LAYOUT OP200-DISK		32447513-HC1
Angles:	Appr.		Process	Layout.	Page 1
	Scale		Concept		Rev. No. 0
	© 2019 Tungaloy Corporation Copyrights Notice				Reg. No.
			FL-40029723		61145/1
					A3L

MODEL IN SCALE 1:3 TOOLS IN SCALE 1:3

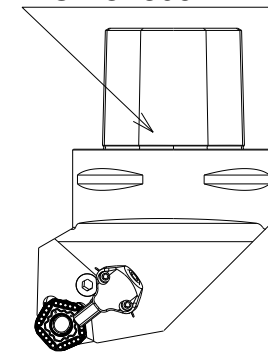
**TungCap  
TurnTenFeed  
AH8000**

CUT 301/303/305/307  
O.D. Turning Rough  
C8ASHL32-1  
PPXOL3232P13-HD  
POMG130612-MNW AH8015



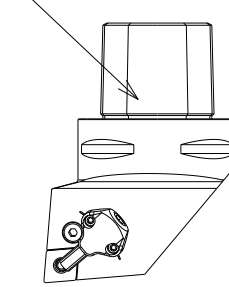
**TungCap  
TungTurn-Jet  
TurnTenFeed  
AH8000**

CUT 301/303/305/307  
O.D. Turning Rough  
C8PPXOL55080-13-HD-CHP (Special)  
POMG130612-MNW AH8015



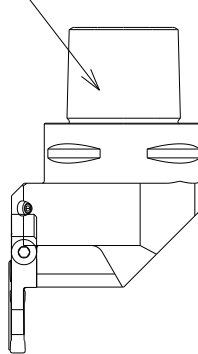
**TungCap  
TungTurn-Jet  
AH8000**

CUT 302/304/309  
O.D. Turning Rough  
C6PCLNL45065-12-CHP  
CNMG120412-HRM AH8005



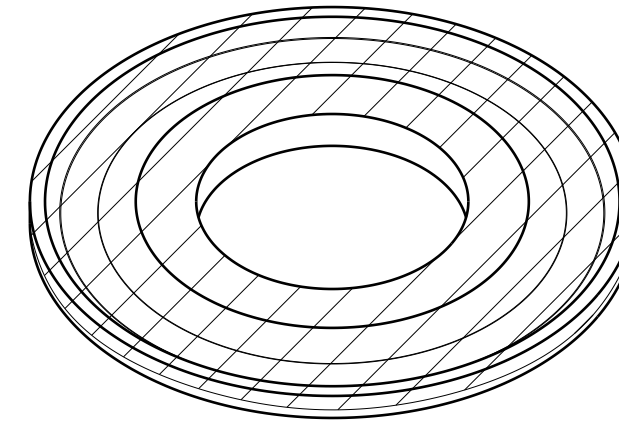
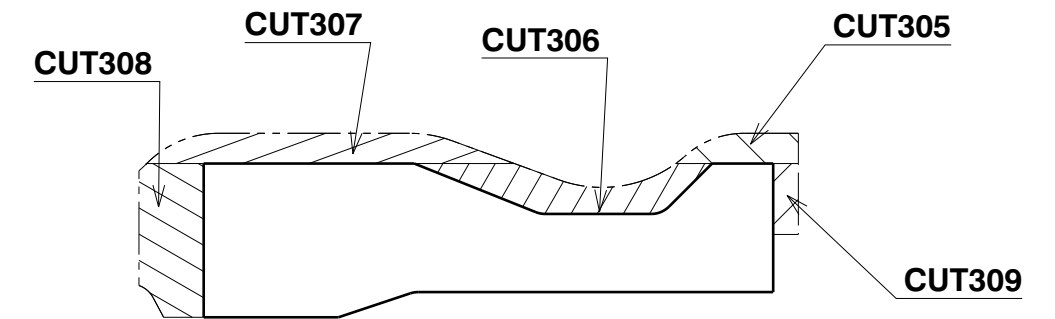
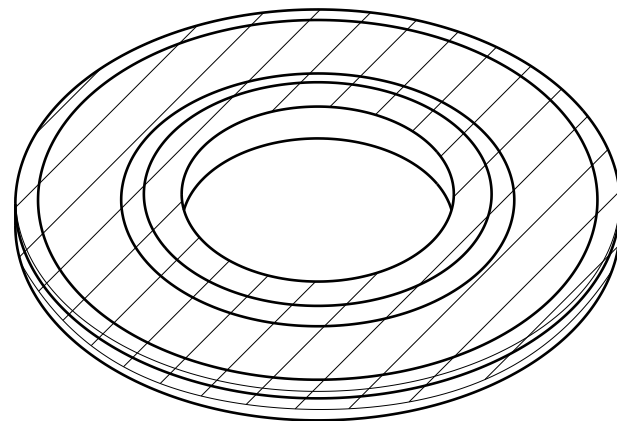
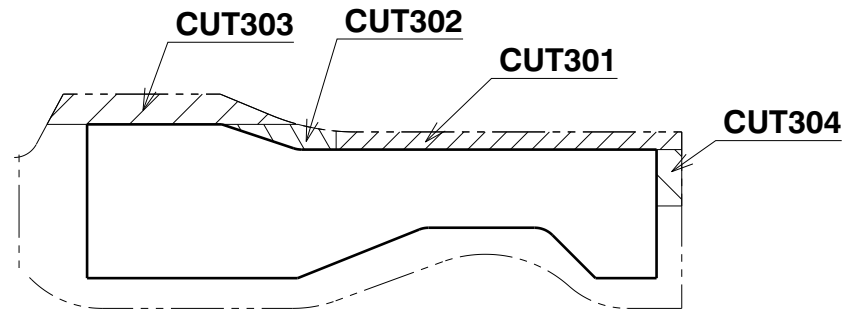
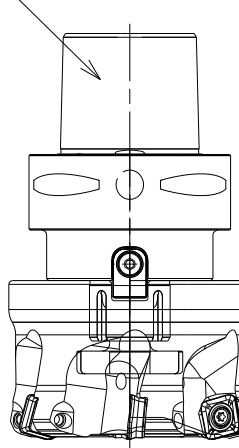
**TungCap  
Tungcut**

CUT 306/308  
O.D. Turning Rough  
C6CHSL45065N  
CAFR-6T25-250400  
SGS6-030 AH7025



**TungCap  
MillQuadFeed**

CUT 301/303/305/307  
O.D. Turning Rough  
C8SEM32X50C  
TXSW15M100B32.0R06  
SWMT1506ZER-MM AH120



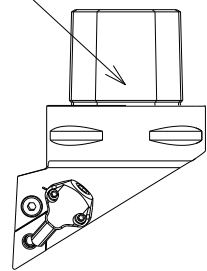
**O.D & I.D Rough turning**

Unspecified Tolerances	Draw		Customer: TUNGALOY	Japan	
	Design				
Dim.s:	Check		LAYOUT OP300-DISK		32447513-HC2
	Appr.		Process	Layout.	Page 1
Angles:	Scale		Concept		Rev. No. 1
	© 2019 Tungaloy Corporation - Copyrights Notice				Reg. No.
					61145/1
			FL-40029723		A3L

MODEL IN SCALE 1:3 TOOLS IN SCALE 1:3

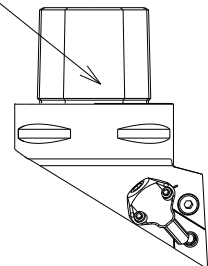
**TungCap  
TungTurn-Jet  
AH8000**

CUT 401/402/403/405/406  
O.D. Turning Finish  
C6PDJNL45065-15-CHP  
DNMG150408-HRM AH8005



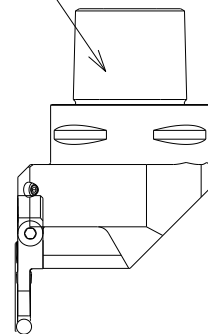
**TungCap  
TungTurn-Jet  
AH8000**

CUT 404  
O.D. Turning Finish  
C6PDJNR45065-15-CHP  
DNMG150408-HRM AH8005



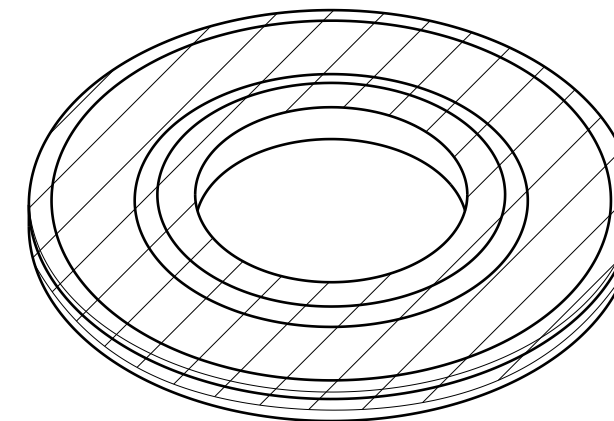
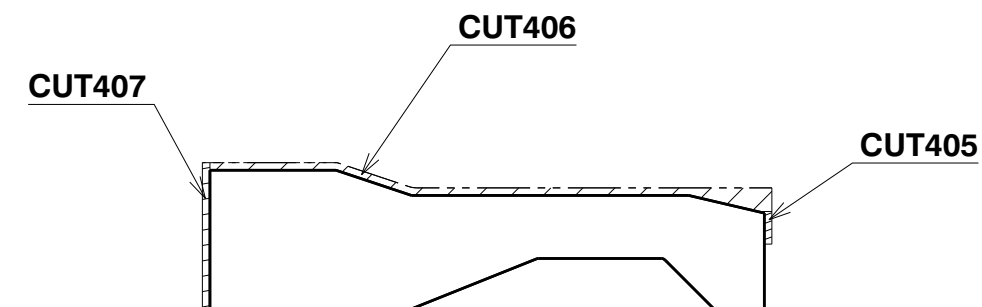
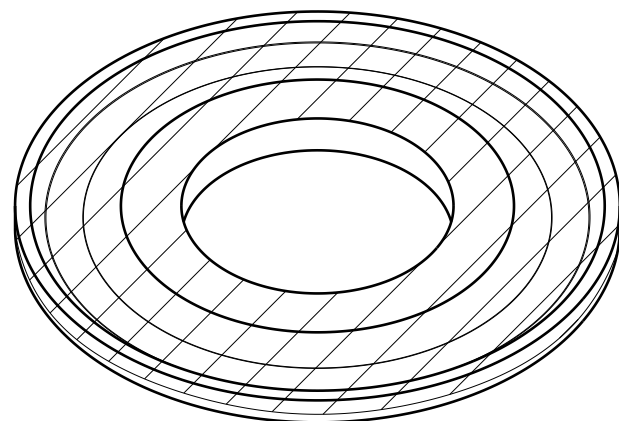
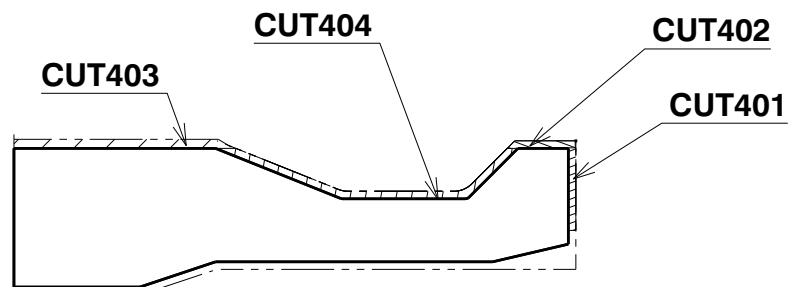
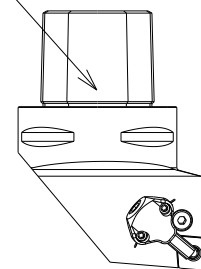
**TungCap  
Tungcut**

CUT 404  
O.D. Turning Rough  
C6CHSL45065N  
CAFR-6T25-250400  
DTR6-300 AH7025



**TungCap  
TungTurn-Jet  
AH8000**

CUT 407  
O.D. Turning Rough  
C6PCLNR45065-12-CHP  
CNMG120412-HRM AH8005



**O.D & I.D Finish turning**

Unspecified Tolerances	Draw		Customer: TUNGALOY	Japan	
	Design		Designation: LAYOUT OP400-DISK		
Dim.s:	Check		Process		Page 1
	Appr.		Concept	Layout.	Rev. No. 0
Angles:	Scale		-		Reg. No. 61145/1
	© 2019 Tungaloy Corporation - Copyrights Notice		FL-40029723		A3L